



T&S BRASS AND BRONZE WORKS, INC.
 2 Saddleback Cove / P.O. Box 1088
 Travelers Rest, SC 29690

Model No.
B-1460-SMB

Item No.

Travelers Rest, SC: 800-476-4103 • Simi Valley, CA: 800-423-0150 • Fax: 864-834-3518 • www.tsbrass.com

This Space for Architect/Engineer Approval

Job Name _____ Date _____

Model Specified _____ Quantity _____

Customer/Wholesaler _____

Contractor _____

Architect/Engineer _____

B-0963
 Continuous Pressure
 Vacuum Breaker w/
 Integral Check Valve

EasyInstall
 3/8" NPT x 18"
 Riser

3/8" NPT x 36"
 Flexible Water
 Connector

Stainless Steel
 Quick Disconnect
 w/ 3/8" NPT Male Outlet

B-0109-01
 Wall Bracket

Swivel Elbow w/
 Ø 2" [51mm] Flange,
 1/2" NPT Female Inlet

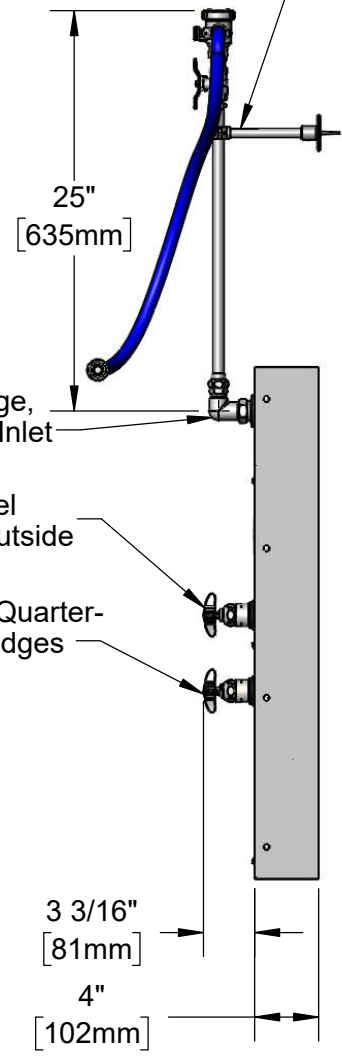
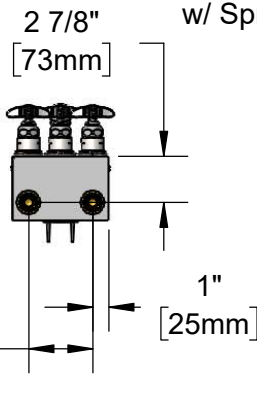
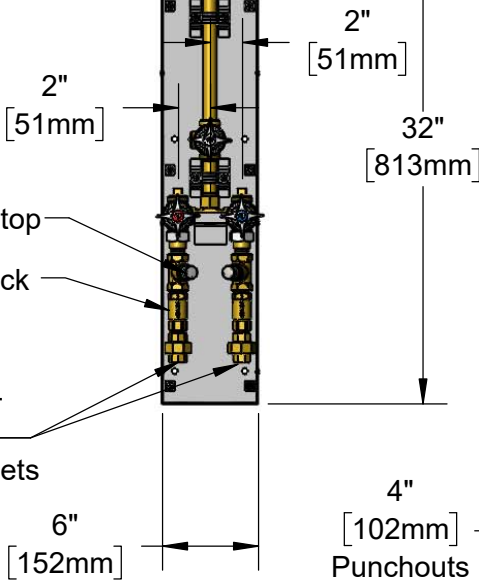
Control Valve
 Body Behind Panel
 Operable From Outside
 of Closed Cabinet

Mixing Faucet w/ Quarter-
 Turn Eterna Cartridges
 w/ Spring Checks

Supply Stop

1/2" Check
 Valves

1/2" NPT
 Female
 Union Inlets



Product Specifications:
 EasyInstall Hose Reel Surface Mount Cabinet, Concealed Bypass Mixing Valve, Eterna Cartridges w/ Spring Checks, Straight Loose-Key Supply Stops, 1/2" NPT Female Union Inlets for Bottom Supplies, Control Valve w/ Eterna Cartridge, 1/2" NPT Riser, Check Valves, Swivel Elbows w/ 1/2" NPT Female Inlet, EasyInstall 3/8" NPT x 18" Riser, 6" Wall Bracket, Continuous Pressure Vacuum Breaker w/ Integral Check Valve, 36" Flexible Water Hose w/ Stainless Steel Quick Disconnect & 3/8" NPT Male Outlet

Product Compliance:
 NSF 61 Exempt (Non-Portable)
 ASSE 1056 (VB)



T&S BRASS AND BRONZE WORKS, INC.

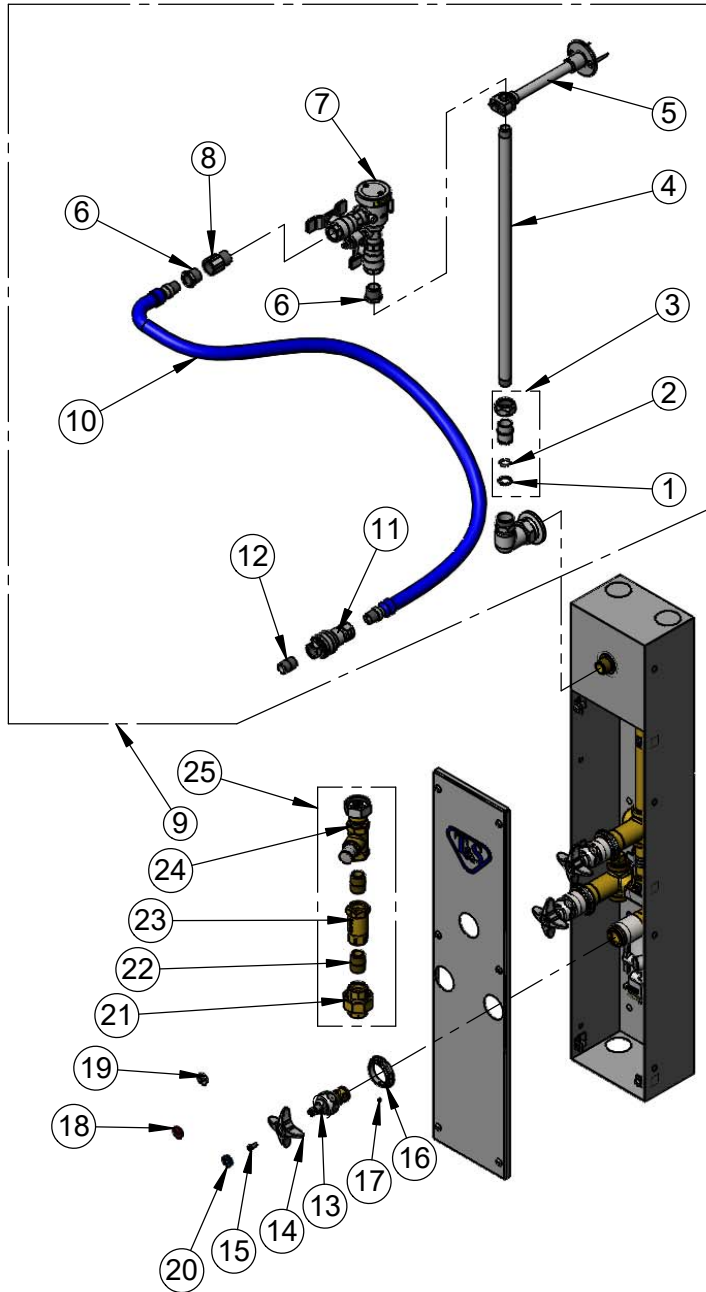
2 Saddleback Cove / P.O. Box 1088
Travelers Rest, SC 29690

Model No.

B-1460-SMB

Item No.

Travelers Rest, SC: 800-476-4103 • Simi Valley, CA: 800-423-0150 • Fax: 864-834-3518 • www.tsbrass.com



ITEM NO.	SALES NO.	DESCRIPTION
1	014200-45	Star Washer, Anti-Rotation
2	001065-45	O-Ring
3	EZ-K	EasyInstall Kit: Nut, Bushing, O-Ring & Lock Washer
4	000369-40	3/8" NPT x 18" Riser
5	B-0109-01	6" Wall Bracket
6	001359-40	Hex Bushing, 1/2" NPT Male x 3/8" NPT Female
7	B-0963	Vacuum Breaker 1/2" NPT Female
8	015073-40	Check Valve w/ 1/2" NPT Adapter
9	0RK-SK	Hose Reel Connector Kit
10	HW-2B-36	3/8" NPT x 36" Flexible Connector Hose
11	AW-5B	SS Quick Disconnect
12	002535-25	3/8" NPT Close Nipple
13	012443-40NS	Quarter-Turn Eterna w/ Springs Check, RTC (New Style)
14	002521-45NS	4-Arm Handle (New Style)
15	000925-45	Lab Handle Screw
16	020839-40	Escutcheon
17	000939-45	Escutcheon, Set Screw
18	001193-19NS	Red Button Index, Press In
19	001205-19NS	White Blank Button Index
20	018506-19NS	Blue Button Index, Press In
21	006649-20	1/2" Union, Unplated
22	002534-20	1/2" Male Close Nipple, Unplated
23	B-CVH1-2	1/2" NPT Check Valve
24	020848-20	Straight Loose Key Stop, Unplated
25	020974-40	Inlet Assembly

Product Specifications:

EasyInstall Hose Reel Surface Mount Cabinet, Concealed Bypass Mixing Valve, Eterna Cartridges w/ Spring Checks, Straight Loose-Key Supply Stops, 1/2" NPT Female Union Inlets for Bottom Supplies, Control Valve w/ Eterna Cartridge, 1/2" NPT Riser, Check Valves, Swivel Elbows w/ 1/2" NPT Female Inlet, EasyInstall 3/8" NPT x 18" Riser, 6" Wall Bracket, Continuous Pressure Vacuum Breaker w/ Integral Check Valve, 36" Flexible Water Hose w/ Stainless Steel Quick Disconnect & 3/8" NPT Male Outlet

Product Compliance:

NSF 61 Exempt (Non-Portable)
ASSE 1056 (VB)