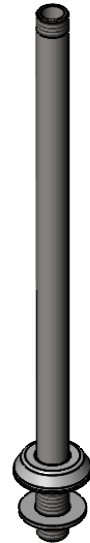
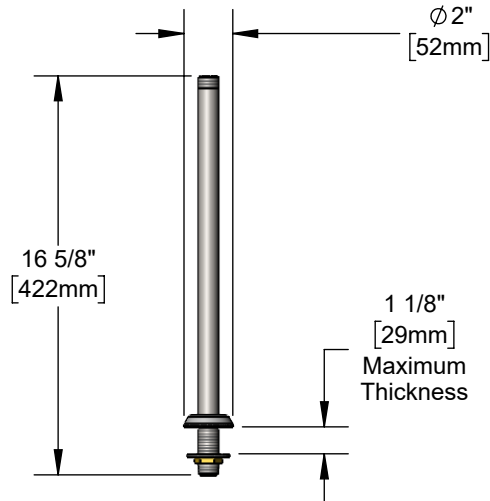




Architect/Engineering Specifications:

Polished chrome plated brass pedestal with 1/2" NPT and 1/2" NPSL male inlet and 2" adjustable polished chrome plated deck flange. Certified to NSF 61-Section and NSF 372

Job Name	_____
Model Specified	_____
Quantity	_____
Variations Specified	_____
Date	_____



Features & Benefits:

- Polished chrome plated brass pedestal with 1/2" NPT and 1/2" NPSL male thread
- 2" adjustable polished chrome plated deck flange
- Material: Polished chrome plated brass

Product Compliance:

- NSF 61 - Section 9
- NSF 372 (Low Lead Content)

Warranty: One Year (Limited)

Performance Data:

- N/A

