



Waste Valves
B-3999-OF-XL

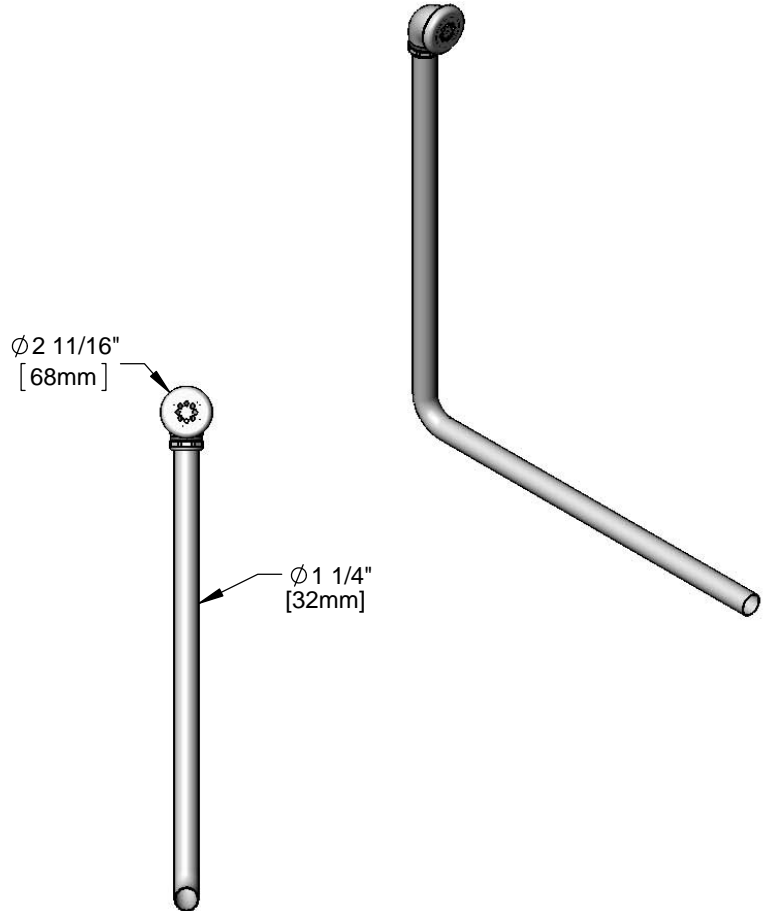
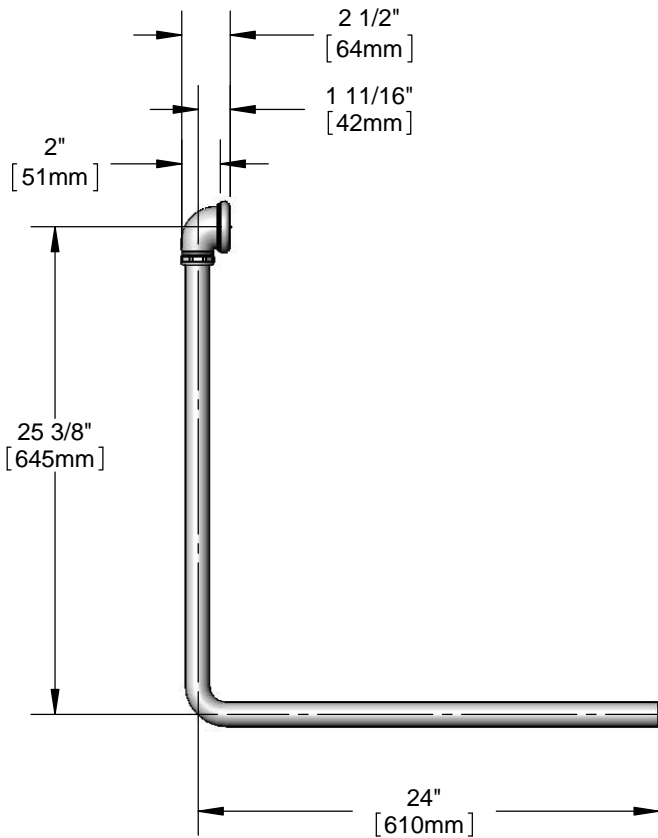
TAG:

Extra Long Overflow Tube

Architect/Engineering Specifications:

Waste drain extra long overflow tube assembly with 1 1/4" dia tube, head and elbow tube. Certified to ASME A112.18.2/CSA B125.2

Job Name _____
 Model Specified _____ Quantity _____
 Variations Specified _____
 Date _____



Features & Benefits:

- Extra long 1 1/4" overflow tube assembly outlet w/ head and elbow tube
- Material: Chrome plated brass

Product Compliance:

- ASME A112.18.2 / CSA B125.2



Warranty: One Year (Limited)

Performance Data:

- N/A



T&S BRASS AND BRONZE WORKS, INC.



• 2 Saddleback Cove • Travelers Rest, SC 29690
 Ph 800-476-4103 • Fax 864-834-3518
 • Simi Valley, CA • Ph 800-423-0150 • www.tsbrass.com

Date: 04/12/16