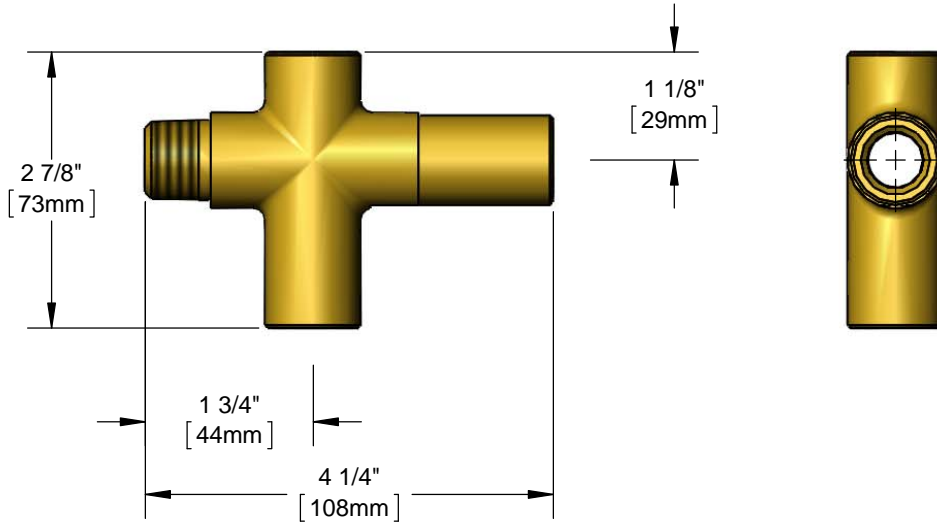
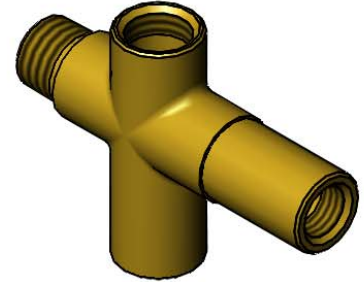




**Architect/Engineering Specifications:**

Unplated forged brass thermometer tee, 1/2" NPT inlet, 3/8" NPT Outlet and 1/2" NPT female for thermometer.

Job Name \_\_\_\_\_  
 Model Specified \_\_\_\_\_ Quantity \_\_\_\_\_  
 Variations Specified \_\_\_\_\_  
 Date \_\_\_\_\_



**Features & Benefits:**

- Unplated forged brass thermometer tee
- 1/2" NPT inlet
- 3/8" NPT outlet
- 1/2" NPT female for thermometer
- Material: Unplated forged brass

**Product Compliance:**

- N/A

**Warranty:** One Year (Limited)

**Performance Data:**

- N/A

