



# Complete Hose Reel Systems

## B-7143-U06WS2C

## 1/2" NPT Open Stainless Steel Hose Reel

TAG:

### Architect/Engineering Specifications:

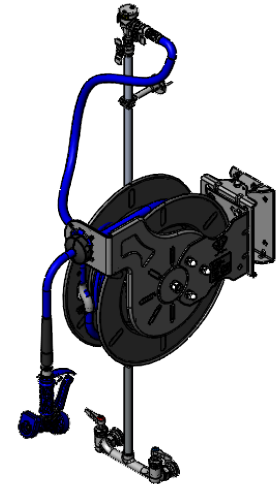
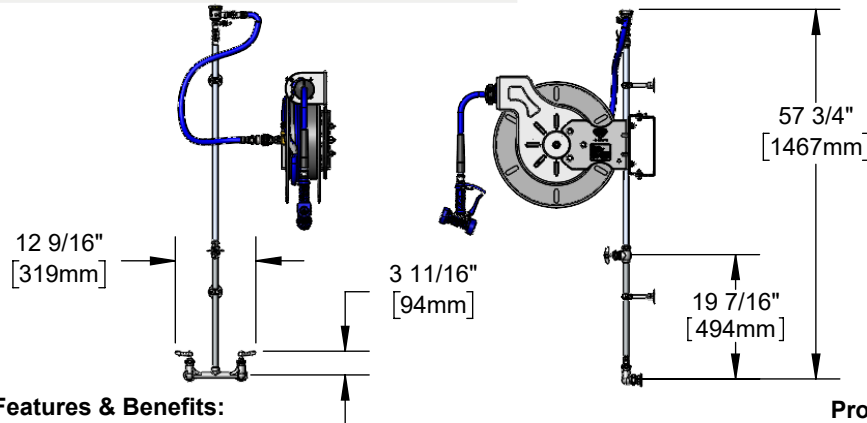
8" wall mount mixing faucet with polished chrome plated brass body, ceramic cartridges with check valves, lever handles, 1/2" NPT female inlets, 18" riser, control valve, 32" riser, wall brackets, continuous pressure vacuum breaker, 36" flexible water hose connector with stainless steel quick disconnect, open stainless steel hose reel with 1/2" x 50' heavy-duty non-marking hose, ratcheting system, high flow stainless steel front trigger water gun with swivel, multi-fit bracket, adjustable hose bumper, horizontal check valves and universal stainless steel wall mount swing bracket with reel-to-bracket mounting hardware. Certified to ASSE 1056.

Job Name \_\_\_\_\_

Model Specified \_\_\_\_\_ Quantity \_\_\_\_\_

Variations Specified \_\_\_\_\_

Date \_\_\_\_\_



### Features & Benefits:

- All-in-one system with exposed piping and accessories
- 8" wall mount mixing faucet w/ polished chrome plated brass body
- Quarter-turn Cerama cartridges with check valves to prevent cross flow of water
- Lever handles w/ color coded indexes
- 1/2" NPT female eccentric inlets with Ø 2" flanges
- Adjustable centers from 7 3/4" to 8 1/4"
- 1/2" NPT x 18" and 32" risers w/ control valve between risers
- (2) 6" wall brackets
- Continuous pressure vacuum breaker
- 36" flexible water hose connector with stainless steel quick disconnect
- Open stainless steel hose reel
- High flow stainless steel front trigger water gun w/ heat resistant blue handle, swivel and hold down ring
- 1/2" x 50' heavy-duty non-marking hose rated to 300 PSI
- Ratcheting system holds the length of hose until a slight tug to retract automatically
- Adjustable hose bumper
- EasyInstall stainless steel wall mount swing bracket
- Horizontal check valves
- Material: Polished chrome plated brass faucet body and riser, chrome plated metal handles, control valve and vacuum breaker, and stainless steel open reel and spray valve body

### Product Compliance:

- NSF 61 Exempt (Non-Potable)
- 2019 DOE PRSV Non-Compliant
- ASSE 1056 (VB)

### Warranty: One Year (Limited)

- Cerama Cartridges: Lifetime (Limited)
- Hose Reel: Two Year (Limited)
- Hose: One Year (Limited)

### Performance Data:

- Pressure: 20 - 125 psi [1.38 - 8.62 bar]
- Temperature: 40°F - 140°F [4.44°C - 60°C]
- Flow Rate: 7.42 GPM [28.09 L/min] @ 60 psi [4.14 bar]



### Optional Cartridges With Checks

- Quarter-Turn Cerama w/ Check Valve (Standard)
- Quarter-Turn Eterna w/ Spring Check

### Optional Hose Reel Spray Valves

- B-0107 Spray Valve
- B-0108 Ergonomic Medium Flow Spray Valve
- B-0108-H Ergonomic High Flow Spray Valve
- EB-0107 High Flow Spray Valve
- EB-2322 Extended Spray Wand
- MV-2516-24 Stainless Steel Rear Trigger Water Gun
- MV-2522-24 Stainless Steel Front Trigger Water Gun (Standard)
- MV-3516-24 Aluminum Rear Trigger Water Gun



T&S BRASS AND BRONZE WORKS, INC.



• 2 Saddleback Cove • Travelers Rest, SC 29690  
 Ph 800-476-4103 • Fax 864-834-3518  
 • Simi Valley, CA • Ph 800-423-0150 • www.tsbrass.com

Date: 02/01/24