



# T&S BRASS AND BRONZE WORKS, INC.

2 Saddleback Cove / P.O. Box 1088  
Travelers Rest, SC 29690

Model No.

**B-7232-U01WS3**

Item No.

Travelers Rest, SC: 800-476-4103 • Simi Valley, CA: 800-423-0150 • Fax: 864-834-3518 • www.tsbrass.com

This Space for Architect/Engineer Approval

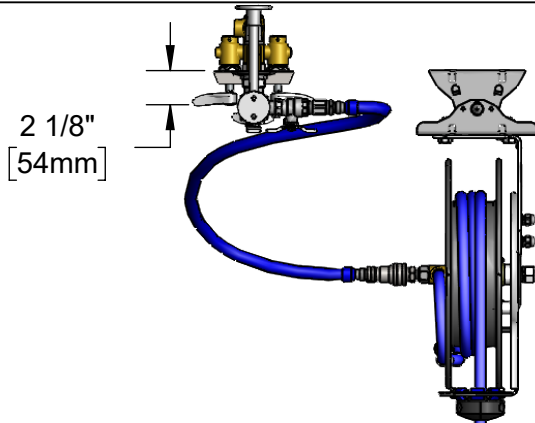
Job Name \_\_\_\_\_ Date \_\_\_\_\_

Model Specified \_\_\_\_\_ Quantity \_\_\_\_\_

Customer/Wholesaler \_\_\_\_\_

Contractor \_\_\_\_\_

Architect/Engineer \_\_\_\_\_



B-0963  
Continuous Pressure  
Vacuum Breaker w/  
Integral Check Valve

B-0109-01  
Wall Bracket

3/8" NPT x 36"  
Flexible Water  
Connector

EasyInstall  
3/8" NPT x 18" Riser

Swivel Elbow w/  
Ø 2" [51mm] Flange,  
1/2" NPT Female Inlet

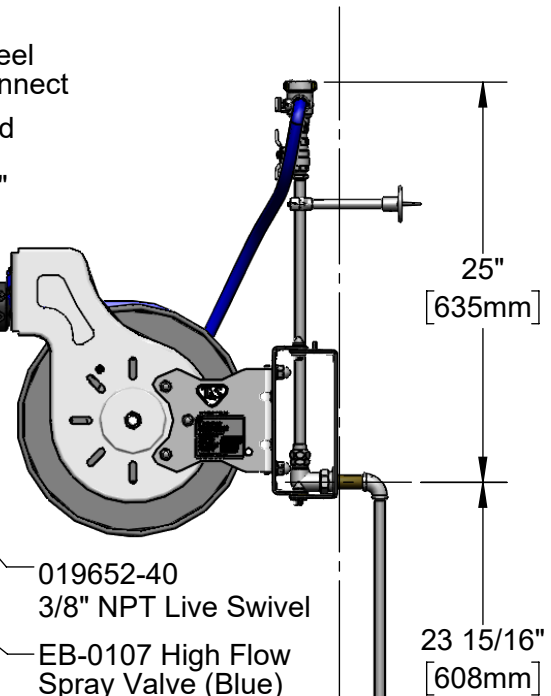
3/8" NPT x 22" Riser

Control Valve w/  
Ø 2 3/4" [70mm]  
Flange

3/8" NPT x 12" Riser

Stainless Steel  
Quick Disconnect

Open Coated  
Hose Reel  
w/ 35' of 3/8"  
Hose

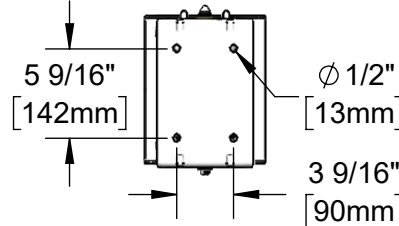
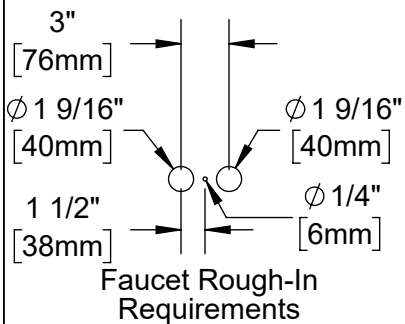


019652-40  
3/8" NPT Live Swivel

EB-0107 High Flow  
Spray Valve (Blue)

3" Concealed Mixing Faucet  
w/ Lever Handles &  
Color Coded Indexes

Mounting  
Surface



13 1/2"  
[342mm]

1/2" NPT Female  
Check Valves

7 5/8"  
[194mm]

**Product Specifications:**

Open Coated Hose Reel w/ 35' of 3/8" Hose, High Flow Spray Valve (Blue) w/ Swivel, Vacuum Breaker, 3/8" NPT Flexible Water Connector, 3" Concealed Mixing Faucet & Control Valve, 100 Degree EasyInstall Stainless Steel Swing Bracket w/ Mounting Hardware

**Product Compliance:**

NSF 61 Exempt (Non-Potable)  
2019 DOE PRSV Non-Compliant  
ASSE 1056 (VB)



# T&S BRASS AND BRONZE WORKS, INC.

2 Saddleback Cove / P.O. Box 1088  
Travelers Rest, SC 29690

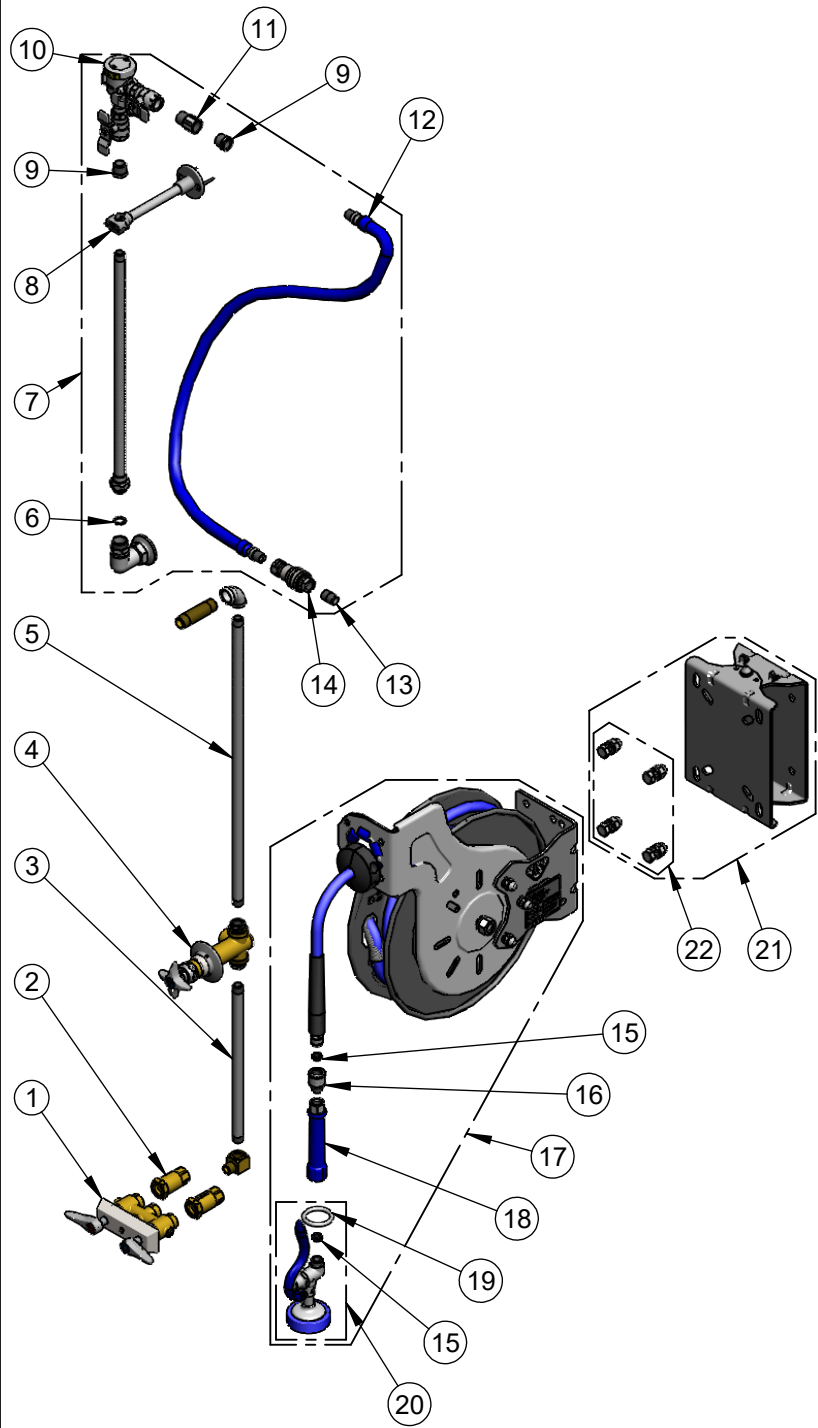
Model No.

**B-7232-U01WS3**

Item No.

Travelers Rest, SC: 800-476-4103 • Simi Valley, CA: 800-423-0150 • Fax: 864-834-3518 • www.tsbrass.com

ITEM NO.	SALES NO.	DESCRIPTION
1	B-0513	3" Concealed Mixing Faucet
2	B-CVH1-2	1/2" NPT Female Check Valve
3	145X	Nipple, 3/8" NPT x 12"
4	0RK2	Control Valve
5	000371-40	3/8" NPT x 22" Riser
6	014200-45	Star Washer, Anti-Rotation
7	0RK-SK	Hose Reel Connector Kit
8	B-0109-01	Wall Bracket
9	001359-40	Hex Bushing, 1/2" NPT Male x 3/8" NPT Female
10	B-0963	Vacuum Breaker 1/2" NPT Female
11	015073-40	Check Valve w/ 1/2" NPT Adapter
12	HW-2B-36	3/8" NPT x 36" Flexible Water Hose
13	002535-25	3/8" Close Nipple
14	AW-5B	3/8" NPT Quick Disconnect
15	010476-45	#27 Washer
16	019652-40	3/8" NPT Live Swivel
17	B-7232-01	Open Coated Hose Reel w/ 35' of 3/8" Hose and High Flow Spray Valve
18	012504-40	Grip Handle (Blue), 3/8" NPT
19	000907-45	Spray Valve Hold Down Ring
20	EB-0107	High Flow Spray Valve (Blue)
21	G019430-45	EasyInstall Hose Reel Stainless Steel Swing Bracket
22	019191-45K	Hose Reel Mounting Kit



**Product Specifications:**  
 Open Coated Hose Reel w/ 35' of 3/8" Hose, High Flow Spray Valve (Blue) w/ Swivel, Vacuum Breaker, 3/8" NPT Flexible Water Connector, 3" Concealed Mixing Faucet & Control Valve, 100 Degree EasyInstall Stainless Steel Swing Bracket w/ Mounting Hardware

**Product Compliance:**  
 NSF 61 Exempt (Non-Potable)  
 2019 DOE PRSV Non-Compliant  
 ASSE 1056 (VB)