



T&S BRASS AND BRONZE WORKS, INC.

2 Saddleback Cove / P.O. Box 1088
Travelers Rest, SC 29690



REG. #A2601
ISO #9001

Model No.

B-1105-KIT

Item No.

Travelers Rest, SC: 800-476-4103 Simi Valley, CA: 800-423-0150 Fax: 864-834-3518 www.tsbrass.com

This Space for Architect/Engineer Approval

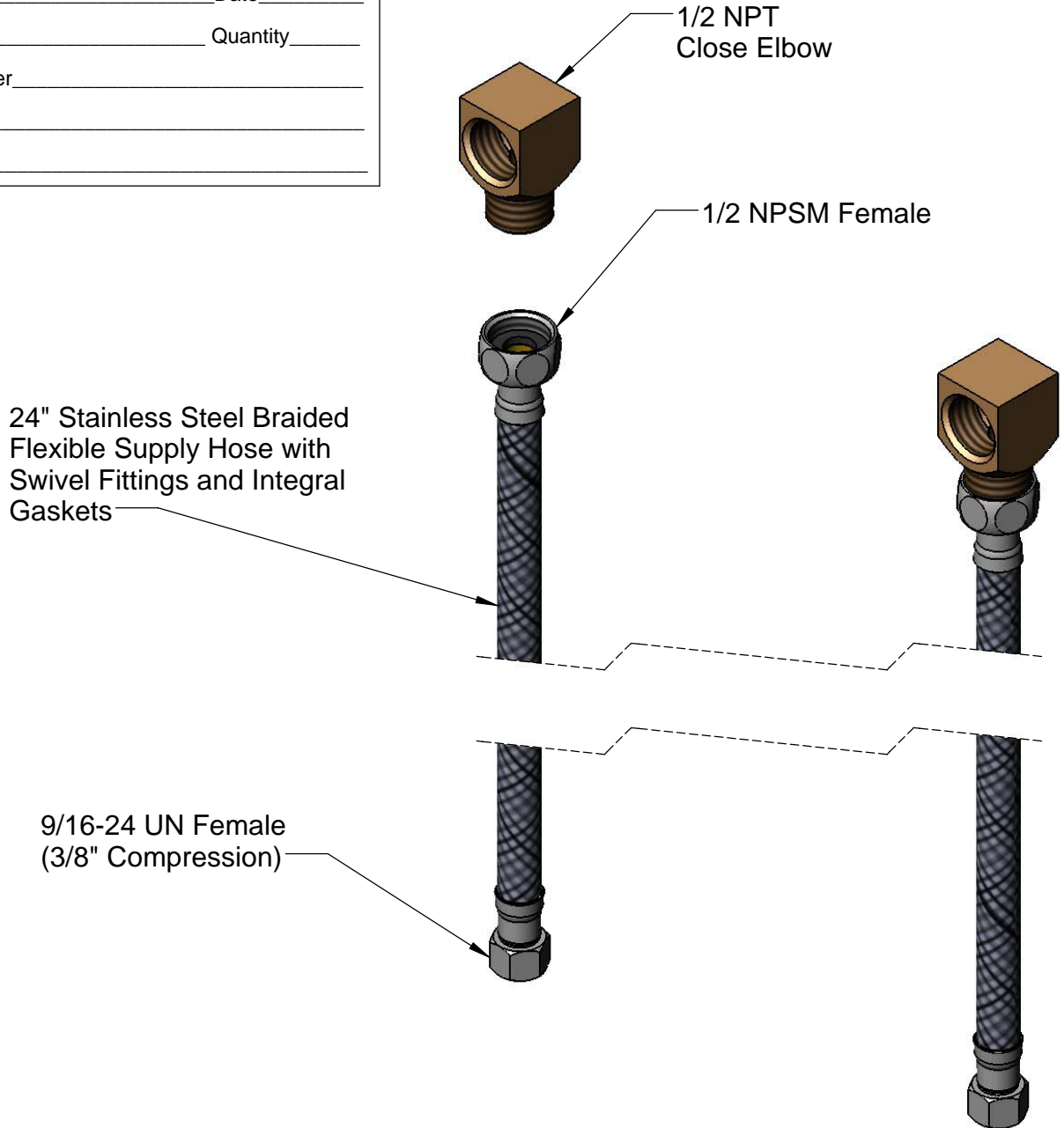
Job Name _____ Date _____

Model Specified _____ Quantity _____

Customer/Wholesaler _____

Contractor _____

Architect/Engineer _____



(2) Sets Supplied per Kit

Product Specifications:

Inlet Kit:
1/2 NPT Close Elbows and 24" Flexible Supply Hoses

Drawn
GEF

Checked
JRM

Approved
JHB

Scale:

1:2

Date:

10/14/08



T&S BRASS AND BRONZE WORKS, INC.

2 Saddleback Cove / P.O. Box 1088
Travelers Rest, SC 29690



REG. #A2601
ISO #9001

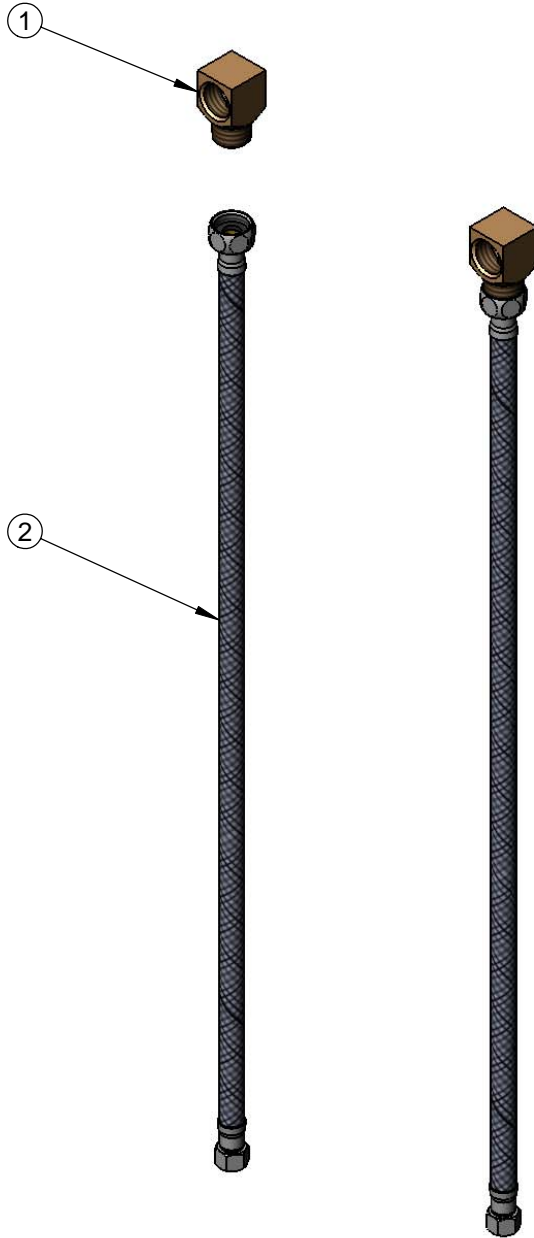
Model No.

B-1105-KIT

Item No.

Travelers Rest, SC: 800-476-4103 Simi Valley, CA: 800-423-0150 Fax: 864-834-3518 www.tsbrass.com

ITEM NO.	SALES NO.	DESCRIPTION
1	B-1100-K	Elbow Kit (2 Elbows per Kit)
2	017420-45	24" Flexible Supply Hose (Sold Individually)



Product Specifications:

Inlet Kit:
1/2 NPT Close Elbows and 24" Flexible Supply Hoses

Drawn GEF	Checked JRM	Approved JHB
Scale: 1:4		Date: 10/14/08