



**T&S BRASS AND BRONZE WORKS, INC.**  
 2 Saddleback Cove / P.O. Box 1088  
 Travelers Rest, SC 29690

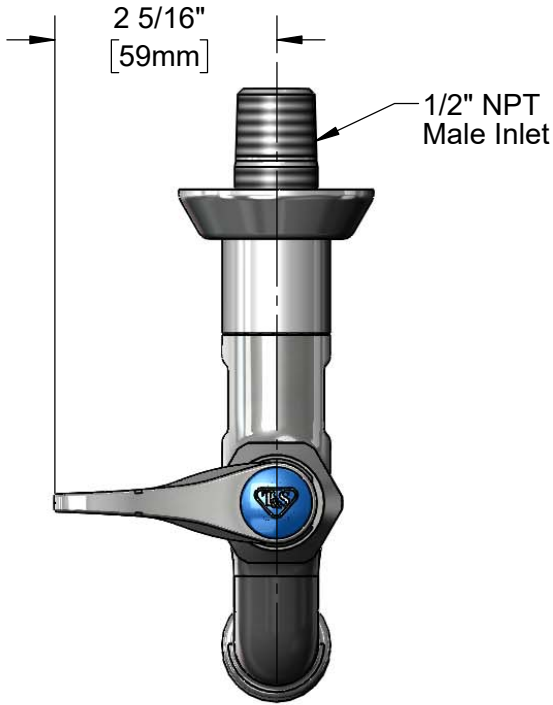
Model No.  
**B-0715**

Item No.

Travelers Rest, SC: 800-476-4103 • Simi Valley, CA: 800-423-0150 • Fax: 864-834-3518 • www.tsbrass.com



**ADA Compliant**



This Space for Architect/Engineer Approval

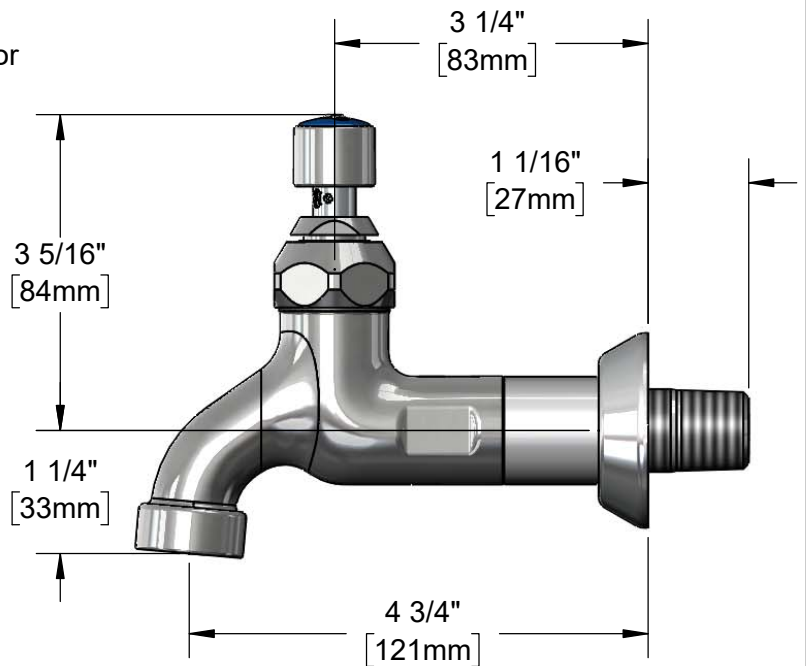
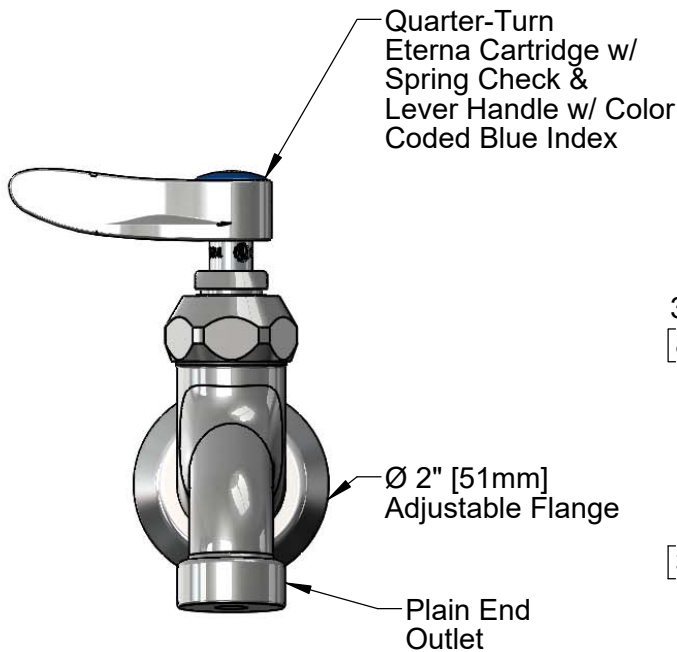
Job Name \_\_\_\_\_ Date \_\_\_\_\_

Model Specified \_\_\_\_\_ Quantity \_\_\_\_\_

Customer/Wholesaler \_\_\_\_\_

Contractor \_\_\_\_\_

Architect/Engineer \_\_\_\_\_



**Rough-In Requirement:**  
 Ø 1" [25mm] Mounting Hole

**Product Specifications:**

Single Sink Wall Mount Faucet, Quarter-Turn Eterna Cartridge w/ Spring Check, Lever Handle, Plain End Outlet, Adjustable Wall Flange, & 1/2" NPT Male Inlet

**Product Compliance:**

ASME A112.18.1 / CSA B125.1  
 NSF 61 - Section 9  
 NSF 372 (Low Lead Content)  
 ANSI A117.1 (ADA)

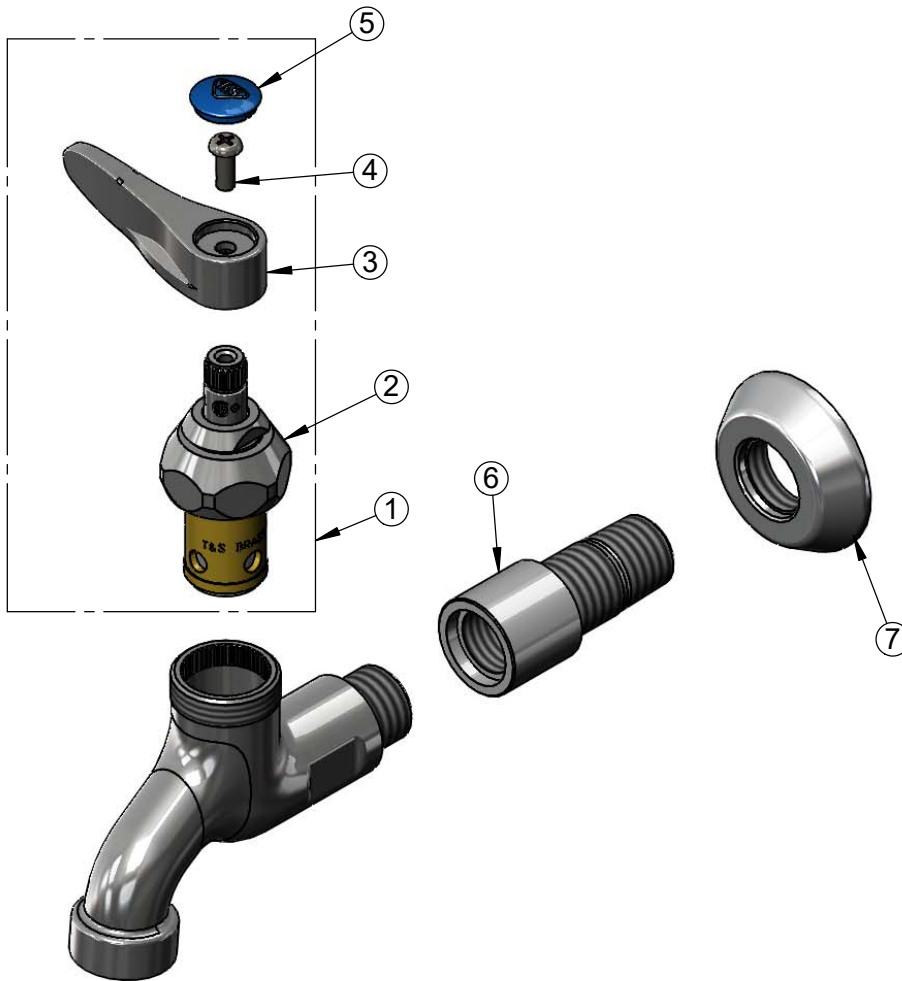


**T&S BRASS AND BRONZE WORKS, INC.**  
 2 Saddleback Cove / P.O. Box 1088  
 Travelers Rest, SC 29690

Model No.  
**B-0715**  
 Item No.

Travelers Rest, SC: 800-476-4103 • Simi Valley, CA: 800-423-0150 • Fax: 864-834-3518 • www.tsbrass.com

| ITEM NO. | SALES NO.   | DESCRIPTION   |
|----------|-------------|---|
| 1        | 019639-40   | Quarter-Turn Eterna Cartridge RTC w/ Spring Check, Handle, Blue Index & Screw |
| 2        | 012443-40NS | Quarter-Turn Eterna Cartridge w/ Spring Check, RTC                            |
| 3        | 001638-45NS | Lever Handle (New Style)  |
| 4        | 000925-45   | Lab Handle Screw  |
| 5        | 018506-19NS | Blue Button Index, Press-in   |
| 6        | 005339-40   | Nipple, B-0715  |
| 7        | 000023-40   | Adjustable Wall Flange  |



**Product Specifications:**  
 Single Sink Wall Mount Faucet, Quarter-Turn Eterna Cartridge w/ Spring Check, Lever Handle, Plain End Outlet, Adjustable Wall Flange, & 1/2" NPT Male Inlet

**Product Compliance:**  
 ASME A112.18.1 / CSA B125.1  
 NSF 61 - Section 9  
 NSF 372 (Low Lead Content)  
 ANSI A117.1 (ADA)