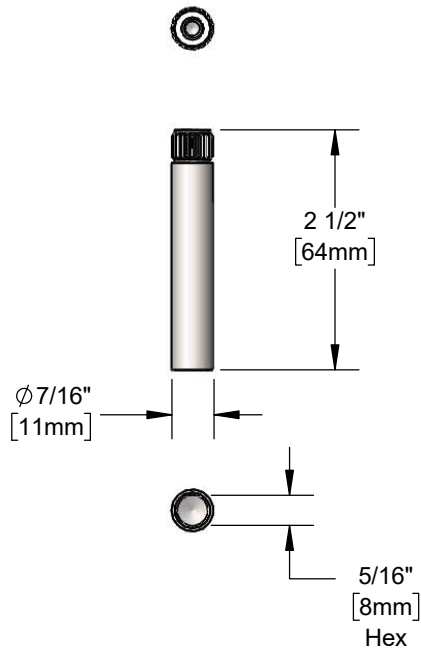




Architect/Engineering Specifications:

Polished chrome plated broached sleeve for remote valve with #10-32 female thread.

Job Name _____
 Model Specified _____ Quantity _____
 Variations Specified _____
 Date _____



Features & Benefits:

- Broached sleeve for remote valve
- #10-32 female thread
- Material: Polished chrome plated brass

Product Compliance:

- N/A

Warranty: One Year (Limited)

Performance Data:

- N/A

