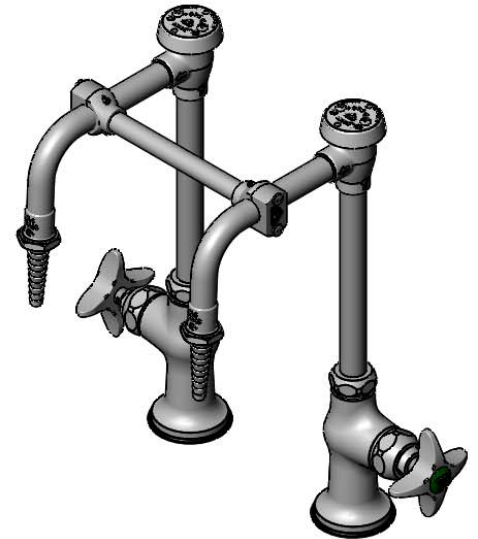
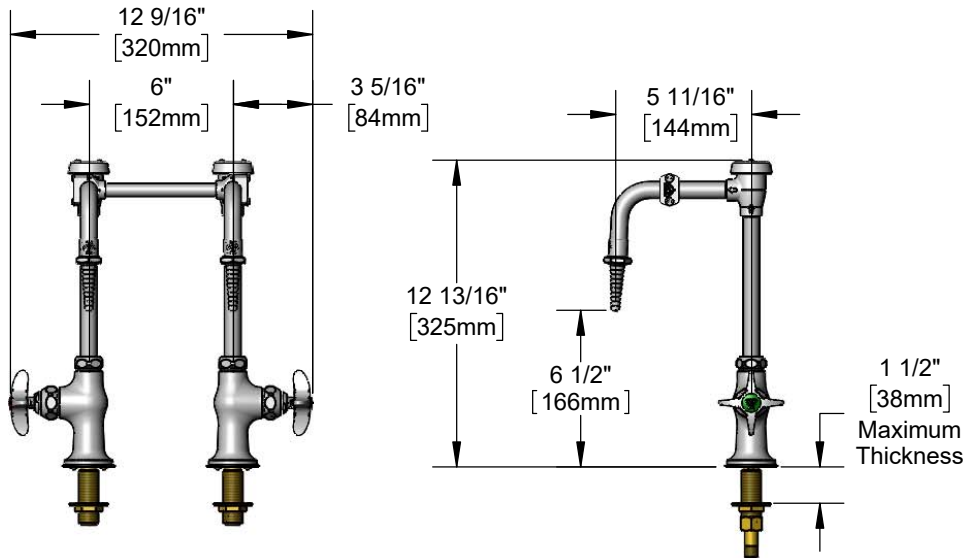




Architect/Engineering Specifications:

Combination science table vandal resistant deck mount faucets with polished chrome plated brass body, swivel nozzles with vacuum breakers and serrated tip outlets with 0.5 GPM flow controls, compression cartridges with spring checks, 4-arm handles, vandal resistant handle screws, and 1/2" NPSM male inlets. Certified to ASME A112.18.1 / CSA B125.1, NSF 61-Section 9, NSF 372 and ASSE 1001. Meets ADA ANSI/ICC A117.1 requirements.

Job Name _____
 Model Specified _____ Quantity _____
 Variations Specified _____
 Date _____



Features & Benefits:

- Combination science table vandal resistant deck mount faucet w/ polished chrome plated brass body
- Polished chrome plated swivel nozzles w/ 3/8" NPT vacuum breakers
- Serrated tip outlets w/ 0.5 GPM flow controls & washer
- Quarter-turn Eterna compression cartridges w/ spring checks
- 4-arm handles w/ VR screws & color coded indexes
- 1/2" NPSM male inlets
- (2) brass balls at bottom of faucet bodies for vandal resistance
- Material: Polished chrome plated brass body, tubular spout and handle and brass balls

Product Compliance:

- ASME A112.18.1 / CSA B125.1
- NSF 61 - Section 9
- NSF 372 (Low Lead Content)
- ANSI A117.1 (ADA)
- ASSE 1001 (VB)

Warranty: One Year (Limited)

Performance Data:

- Pressure: 20 - 125 psi
- Temperature: 40 °F - 140 °F
- Flow Rate: 0.5 GPM @ 60 psi



ADA Compliant



Optional Handles

- 4" Wrist Action
- Lever
- 4-Arm (Standard)

Optional Cartridges

- Quarter-Turn Cerama w/ Check Valve
- Quarter-Turn Eterna w/ Spring Check (Standard)

