



# T&S BRASS AND BRONZE WORKS, INC.

2 Saddleback Cove / P.O. Box 1088  
Travelers Rest, SC 29690

Model No.

**B-3970-XS**

Item No.

Travelers Rest, SC: 800-476-4103 • Simi Valley, CA: 800-423-0150 • Fax: 864-834-3518 • www.tsbrass.com

This Space for Architect/Engineer Approval

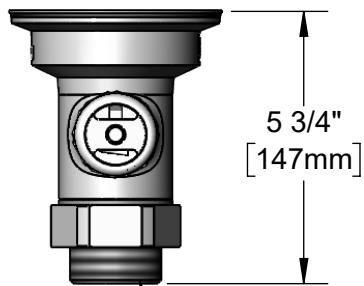
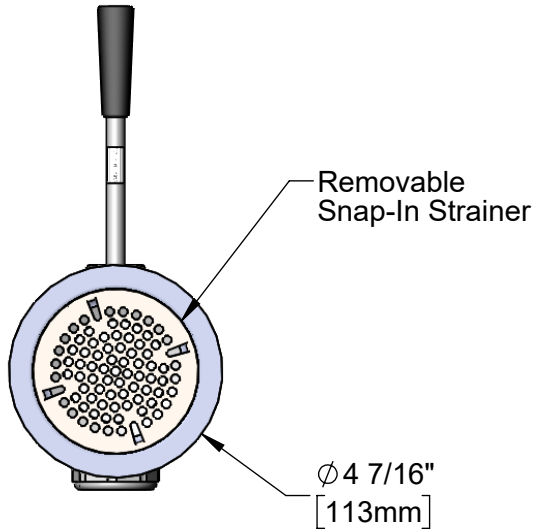
Job Name \_\_\_\_\_ Date \_\_\_\_\_

Model Specified \_\_\_\_\_ Quantity \_\_\_\_\_

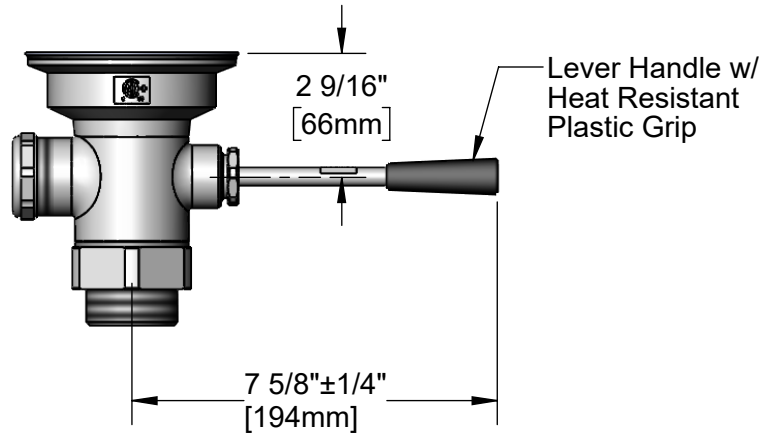
Customer/Wholesaler \_\_\_\_\_

Contractor \_\_\_\_\_

Architect/Engineer \_\_\_\_\_



Adapter Converts 2" NPT Male to 1 1/2" NPT Male. Remove Adapter When 2" NPT Male Thread is Needed



Product Specifications:  
Waste Drain Valve w/ Short Lever Handle, 3 1/2" Sink Opening,  
2" NPT Male Outlet & 1 1/2" NPT Male Adapter

Product Compliance:  
ASME A112.18.2 / CSA B125.2



# T&S BRASS AND BRONZE WORKS, INC.

2 Saddleback Cove / P.O. Box 1088  
Travelers Rest, SC 29690

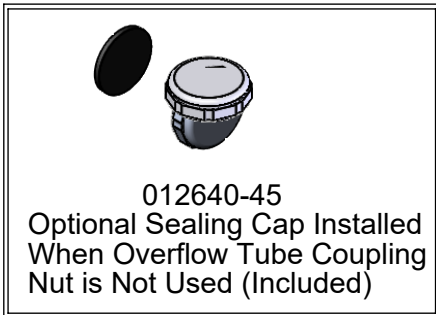
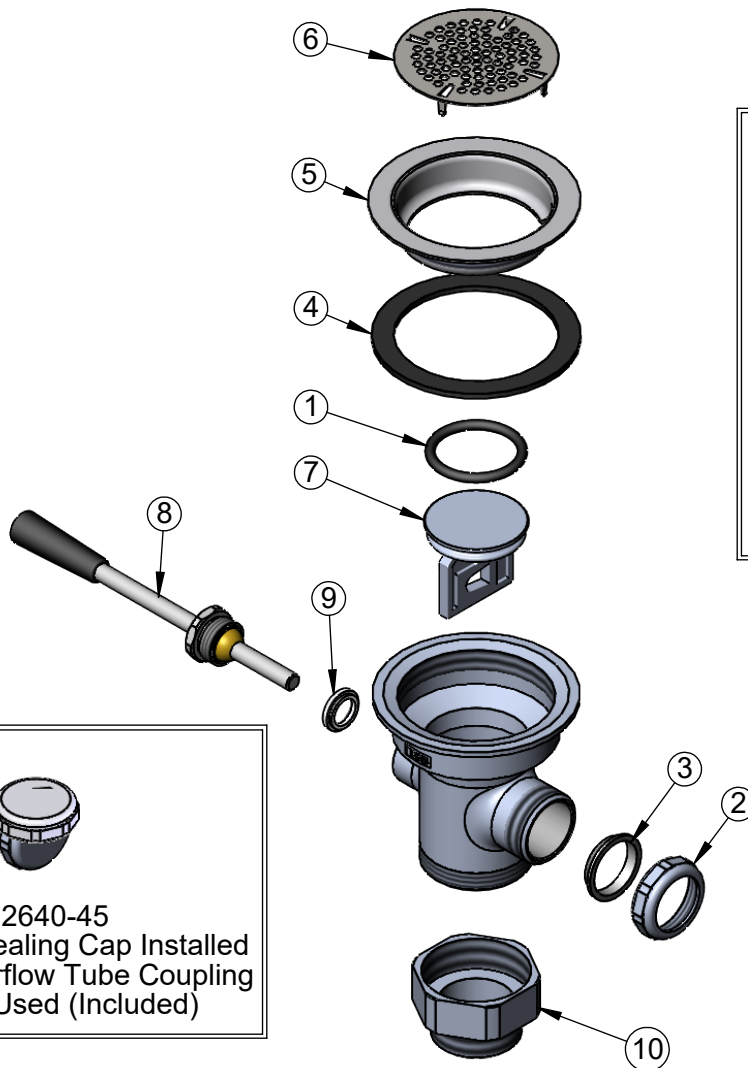
Model No.

**B-3970-XS**

Item No.

Travelers Rest, SC: 800-476-4103 • Simi Valley, CA: 800-423-0150 • Fax: 864-834-3518 • www.tsbrass.com

ITEM NO.	SALES NO.	DESCRIPTION
1	010389-45	O-Ring, Plunger
2	010391-45	Nut, Coupling for Twist Drain
3	010390-45	Ferrule, Coupling Nut
4	010382-45	Gasket, 3 1/2" Face Flange
5	010384-45	Flange, 3 1/2" Face
6	010386-45	Strainer, 3 1/2" Snap-in Removable
7	010388-45	Plunger, Lever and Twist Drain
8	010394-45XS	Handle Asm, Waste Valve Short Lever
9	010392-45	Bushing, Waste Drain Lever Handle
10	B-3945	Adapter, 2" NPT x 1 1/2" NPT



**Product Specifications:**  
Waste Drain Valve w/ Short Lever Handle, 3 1/2" Sink Opening,  
2" NPT Male Outlet & 1 1/2" NPT Male Adapter

**Product Compliance:**  
ASME A112.18.2 / CSA B125.2