

ADA Compliant

This Space for Architect/Engineer Approval

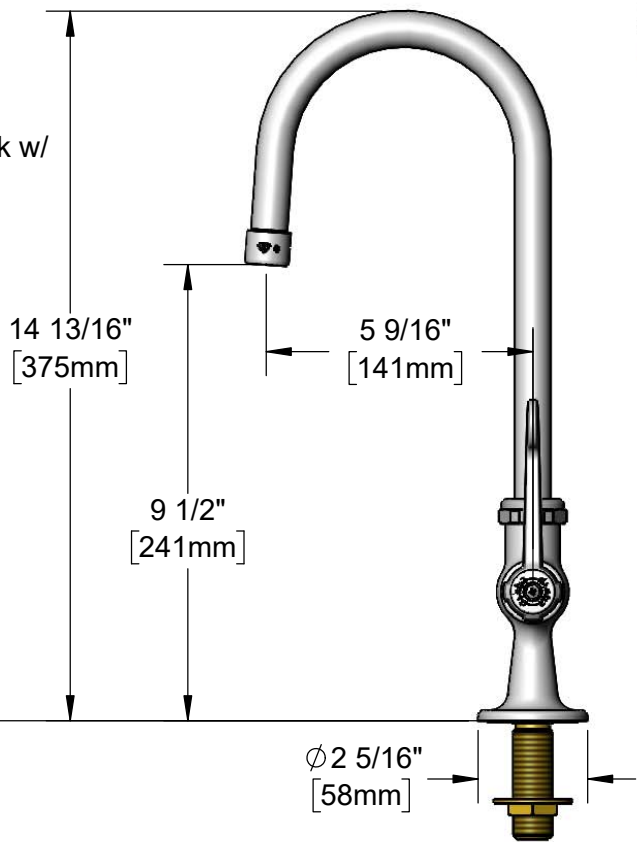
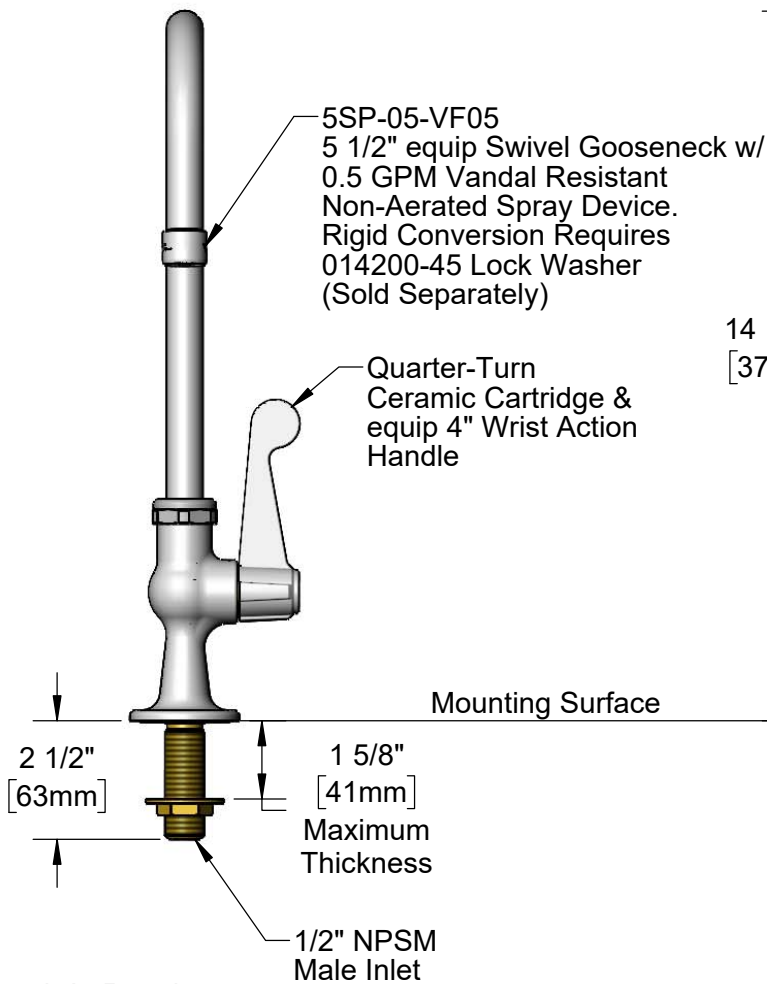
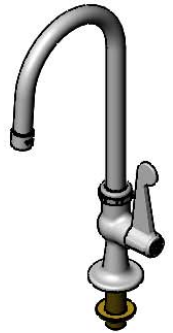
Job Name _____ Date _____

Model Specified _____ Quantity _____

Customer/Wholesaler _____

Contractor _____

Architect/Engineer _____



Mounting Surface

Rough-In Requirement:
Ø 1" [25mm] Mounting Hole

Model Number

5F-1SWX05-VF05

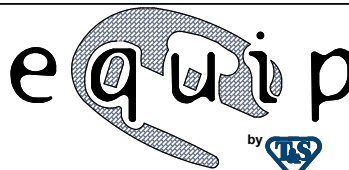
Product Specifications:

Single Supply Deck Mount Faucet w/ Quarter-Turn Ceramic Cartridge, equip 4" Wrist Action Handle, 5 1/2" equip Swivel Gooseneck w/ 0.5 GPM Vandal Resistant Non-Aerated Spray Device & 1/2" NPSM Male Inlet

Product Compliance:

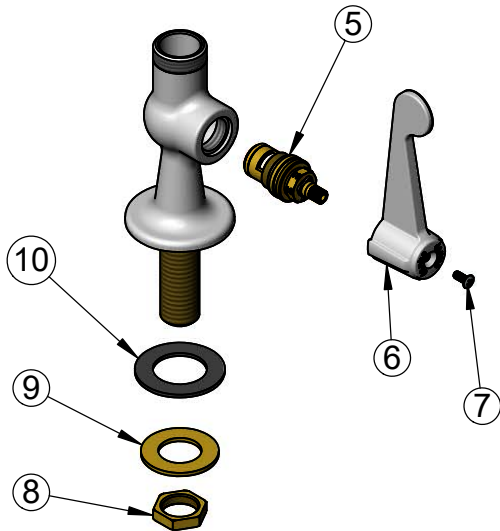
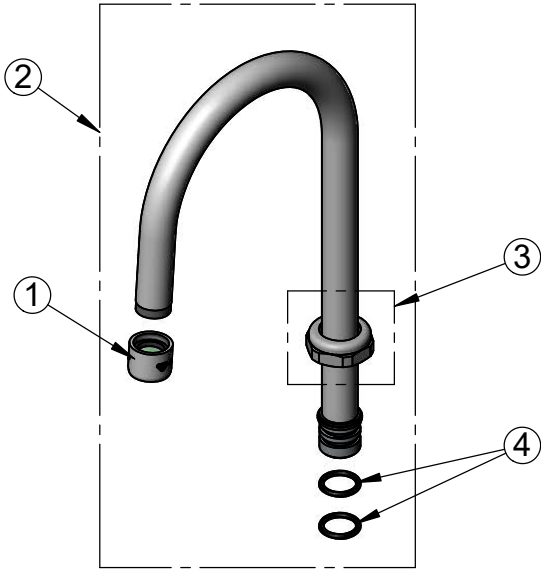
ASME A112.18.1 / CSA B125.1
NSF 61 - Section 9
NSF 372 (Low Lead Content)
ANSI A117.1 (ADA)

equip
Foodservice
Accessories



2 Saddleback Cove, P.O. Box 1088
Travelers Rest, South Carolina 29690
Phone: 800.891.4808 Fax: 800.868.0084
equip.tsbrass.com

ITEM NO.	SALES NO.	DESCRIPTION
1	5F-VF05	0.5 GPM Non-Aerated VR Outlet Device, 3/4-27 Female
2	5SP-05-VF05	5 1/2" equip Swivel Gooseneck w/ 0.5 GPM VR Non-Aerated Spray Device
3	013839-25	equip Swivel Nut
4	013848-45	O-Ring
5	013787-45	equip, Quarter-Turn Ceramic Cartridge, RTC
6	5-HDL-W	equip 4" Wrist Action Handle w/ Color Coded Screws
7	013849-45	Screw, 4mm Metric (10)
8	002954-45	Shank Lock Nut
9	000999-45	Brass Lock Washer
10	014612-45	Deck Seal



Model Number

5F-1SWX05-VF05

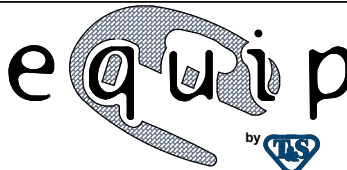
Product Specifications:

Single Supply Deck Mount Faucet w/ Quarter-Turn Ceramic Cartridge, equip 4" Wrist Action Handle, 5 1/2" equip Swivel Gooseneck w/ 0.5 GPM Vandal Resistant Non-Aerated Spray Device & 1/2" NPSM Male Inlet

Product Compliance:

ASME A112.18.1 / CSA B125.1
NSF 61 - Section 9
NSF 372 (Low Lead Content)
ANSI A117.1 (ADA)

equip
Foodservice
Accessories



2 Saddleback Cove, P.O. Box 1088
Travelers Rest, South Carolina 29690
Phone: 800.891.4808 Fax: 800.868.0084
equip.tsbrass.com