



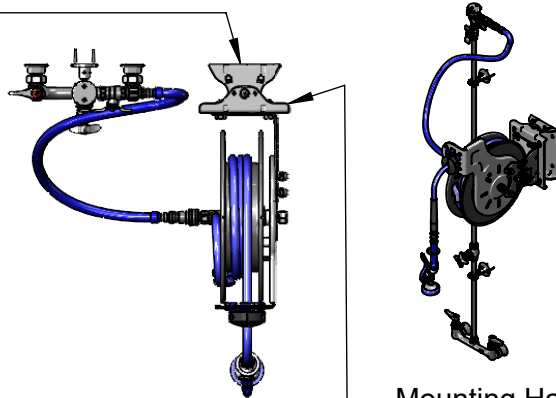
T&S BRASS AND BRONZE WORKS, INC.
 2 Saddleback Cove / P.O. Box 1088
 Travelers Rest, SC 29690

Model No.
B-7232-U01WS1E

Item No.

Travelers Rest, SC: 800-476-4103 • Simi Valley, CA: 800-423-0150 • Fax: 864-834-3518 • www.tsbrass.com

EasyInstall
 Stainless Steel
 Wall Mount Swing
 Bracket w/ 100°
 of Rotation



This Space for Architect/Engineer Approval

Job Name _____ Date _____

Model Specified _____ Quantity _____

Customer/Wholesaler _____

Contractor _____

Architect/Engineer _____

Mounting Hardware Included
 for Hose Reel to Bracket

B-0963
 Continuous Pressure
 Vacuum Breaker
 w/ Integral
 Check Valve

3/8" NPT x 36"
 Flexible Water
 Connector

3/8" NPT x
 40" Riser

Stainless Steel
 Quick Disconnect

Control Valve

(2) B-0109-07
 Wall Brackets

EasyInstall
 3/8" NPT x
 16" Riser

Open Coated Hose Reel
 w/ 35' of 3/8" Hose

019652-40
 3/8" NPT
 Live Swivel

EB-0107
 High Flow
 Spray Valve
 (Blue)

64 7/8"
 [1647mm]

8" Wall Mount Mixing Faucet,
 Quarter-Turn Eterna Cartridges
 w/ Spring Checks & Lever
 Handles w/ Color Coded Indexes

12 5/8"
 [321mm]

3 5/8"
 [93mm]

Ø2" [51mm]
 Flanges w/
 1/2" NPT
 Female Inlets

8"
 [203mm]
 Adjustable From
 7 3/4" to 8 1/4"
 [197mm to 210mm]

5 9/16"
 [142mm]

Ø 1/2"
 [13mm]

17 7/8"
 [454mm]

2 9/16"
 [64mm]

3 9/16"
 [90mm]
 EasyInstall
 Wall Mount
 Swing Bracket
 Mounting Holes

Product Specifications:

Open Coated Hose Reel w/ 35' of 3/8" Hose, High Flow Spray Valve w/ Swivel, Vacuum Breaker, 3/8" NPT Flexible Water Connector, 8" Wall Mount Mixing Faucet w/ Quarter-Turn Eterna Cartridges w/ Spring Checks & Lever Handles, Control Valve, 100 Degree EasyInstall Stainless Steel Swing Bracket w/ Mounting Hardware for Hose Reel to Bracket

Product Compliance:

NSF 61 Exempt (Non-Potable)
 2019 DOE PRSV Non-Compliant
 ASSE 1056 (VB)



T&S BRASS AND BRONZE WORKS, INC.

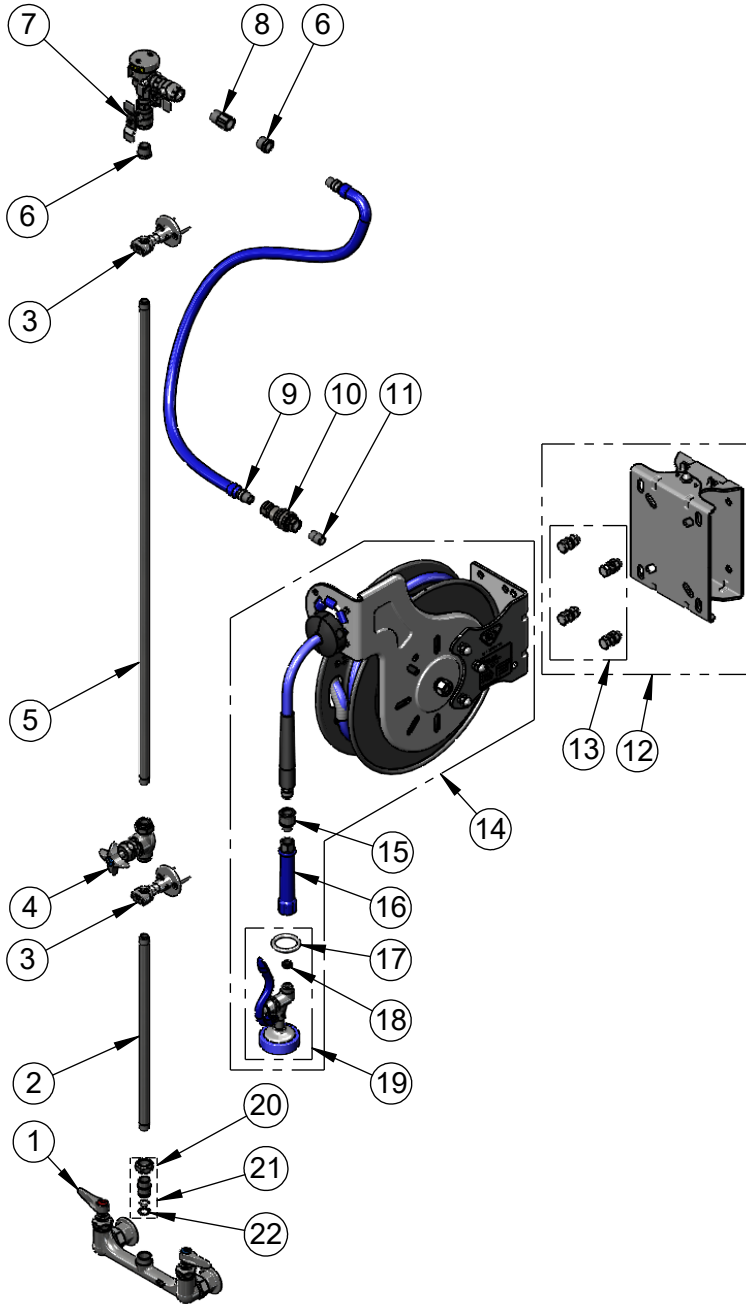
2 Saddleback Cove / P.O. Box 1088
Travelers Rest, SC 29690

Model No.

B-7232-U01WS1E

Item No.

Travelers Rest, SC: 800-476-4103 • Simi Valley, CA: 800-423-0150 • Fax: 864-834-3518 • www.tsbrass.com



ITEM NO.	SALES NO.	DESCRIPTION
1	B-0230-LN	8" Wall Mount Base Faucet
2	000368-40	3/8" NPT x 16" Riser
3	B-0109-07	Wall Bracket
4	0RK3	Control Valve
5	002558-40	3/8" NPT x 40" Riser
6	001359-40	Hex Bushing, 1/2" NPT Male x 3/8" NPT Female
7	B-0963	1/2" NPT Continuous Pressure VB w/ Check Valve
8	015073-40	1/2" NPT Check Valve Adapter
9	HW-2B-36	3/8" NPT x 36" Flexible Water Hose
10	AW-5B	3/8" NPT Quick Disconnect
11	002535-25	3/8" Close Nipple
12	G019430-45	EasyInstall Hose Reel Stainless Steel Swing Bracket
13	019191-45K	Hose Reel Mounting Kit
14	B-7232-01	Open Coated Hose Reel w/ 35' of 3/8" Hose
15	019652-40	3/8" NPT Live Swivel
16	012504-40	Grip Handle (Blue), 3/8" NPT
17	000907-45	Spray Valve Hold Down Ring
18	010476-45	#27 Washer
19	EB-0107	High Flow Spray Valve (Blue)
20	EZ-K	EasyInstall Kit
21	001065-45	O-Ring
22	014200-45	Star Washer, Anti-Rotation

Product Specifications:

Open Coated Hose Reel w/ 35' of 3/8" Hose, High Flow Spray Valve w/ Swivel, Vacuum Breaker, 3/8" NPT Flexible Water Connector, 8" Wall Mount Mixing Faucet w/ Quarter-Turn Eterna Cartridges w/ Spring Checks & Lever Handles, Control Valve, 100 Degree EasyInstall Stainless Steel Swing Bracket w/ Mounting Hardware for Hose Reel to Bracket

Product Compliance:

NSF 61 Exempt (Non-Potable)
2019 DOE PRSV Non-Compliant
ASSE 1056 (VB)