



Service Sink / Mop Sink Faucets

B-0697-ST

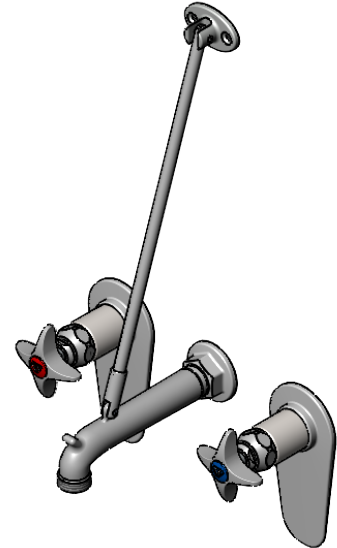
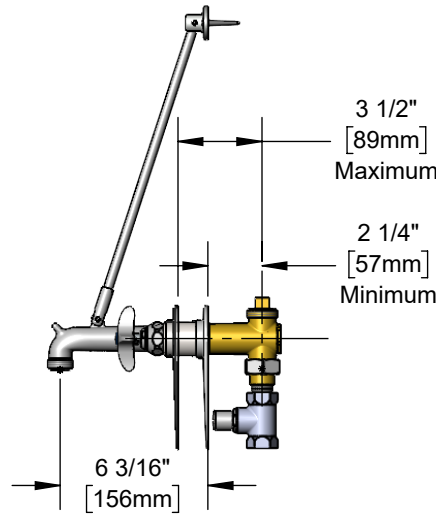
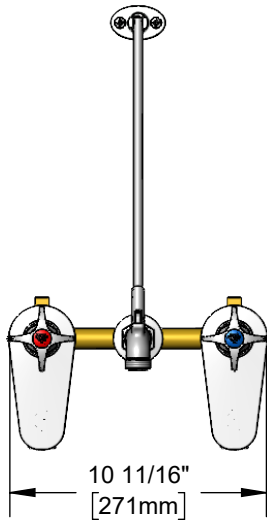
TAG:

Service Sink Faucet

Architect/Engineering Specifications:

8" wall mount concealed mixing faucet with brass body, polished chrome plated brass spout with pail hook and garden hose outlet, compression cartridges with spring checks 4-arm handles, 1/2" NPT loose key straight stop inlets with tee handle, upper wall support rod and 1/2" NPT female inlets. Certified to ASME A112.18.1/CSA B125.1, NSF 61-Section 9 and NSF 372. Meets ADA ANSI/ICC A117.1 requirements

Job Name _____
 Model Specified _____ Quantity _____
 Variations Specified _____
 Date _____



Features & Benefits:

- 8" concealed bypass mixing valve w/ 1/2" NPT female union inlet connections
- 6" tall polished chrome plated brass adjustable wall flanges & sleeves
- Polished chrome plated spout w/ Ø2" wall flange, pail hook & male garden hose outlet
- Quarter-turn Eterna compression cartridges w/ spring checks to prevent cross flow of water
- 4-arm handles w/ color coded indexes
- 1/2" NPT female loose key straight stop inlets with tee handle
- 1/2" NPT female inlets (may be supplied from above or below)
- Upper wall support rod
- Material: Brass bodies with polished chrome plated adjustable flanges, support rod and chrome plated metal handles

Product Compliance:

- ASME A112.18.1 / CSA B125.1
- NSF 61 - Section 9
- NSF 372 (Low Lead Content)
- ANSI A117.1 (ADA)

Warranty: One Year (Limited)

Performance Data:

- Pressure: 20 - 125 psi [1.38 - 8.62 bar]
- Temperature: 40°F - 140°F [4.44°C - 60°C]
- Flow Rate: 7.09 GPM [26.8 L/min] @ 60 psi [4.14 bar]



ADA Compliant

Optional Handles

- 4" Wrist Action
- Lever
- 4-Arm (Standard)

Optional Cartridges With Checks

- Quarter-Turn Cerama w/ Check Valve
- Quarter-Turn Eterna w/ Spring Check (Standard)



T&S BRASS AND BRONZE WORKS, INC.



• 2 Saddleback Cove • Travelers Rest, SC 29690
 Ph 800-476-4103 • Fax 864-834-3518
 • Simi Valley, CA • Ph 800-423-0150 • www.tsbrass.com

Date: 03/11/24