



Panel Flange with Two Hose Cocks

Architect/Engineering Specifications:

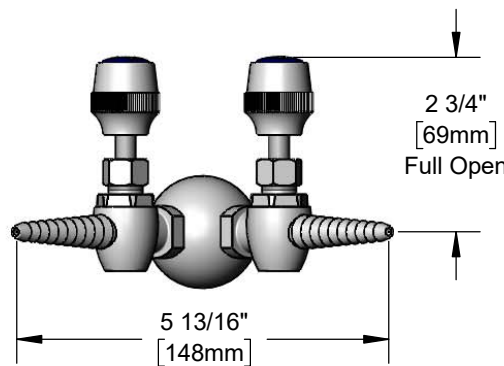
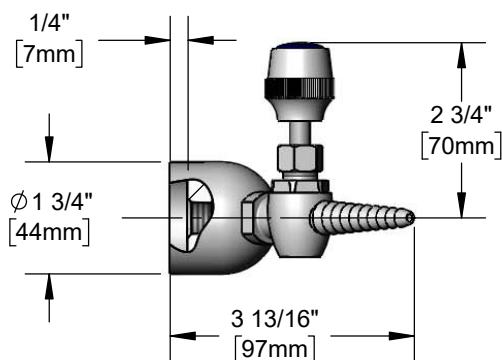
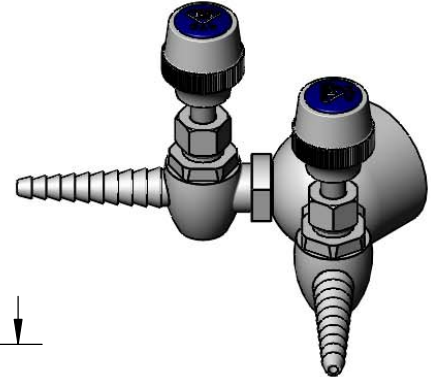
Laboratory panel flange with polished chrome plated body, two needle valve hose cocks for gas, air or vacuum with serrated tip outlet (accepts 1/4" to 3/8" I.D. hose) and 3/8" NPT female inlet. Certified to Z21.15a / CSA 9.1a.

Job Name \_\_\_\_\_

Model Specified \_\_\_\_\_ Quantity \_\_\_\_\_

Variations Specified \_\_\_\_\_

Date \_\_\_\_\_



Features & Benefits:

- Laboratory panel flange w/ polished chrome plated body
- (2) Needle valve hose cock w/ serrated tip (accepts 1/4" to 3/8" I.D. hose)
- Special packing in valve suitable for  
Oxygen, Hydrogen, and other special gases
- (2) Natural gas (dark blue) press-in indexes included
- (2) Air (orange) press-in indexes included
- (2) Vacuum (yellow) press-in indexes included
- Ø 2" flange panel flange w/ 3/8" NPT female inlet
- Material: Polished chrome plated brass panel flange & ball valve hose cock

Product Compliance:

- ANSI Z21.15a / CSA 9.1a (Gas Valves)

Warranty: One Year (Limited)

Performance Data:

- Pressure:  
Fuel Gas - 0.5 psi max  
Other Gases Including Air - 80 psi max  
Vacuum - 30 inches of Mercury max
- Temperature: 32 °F - 125 °F

