



**T&S BRASS AND BRONZE WORKS, INC.**

2 Saddleback Cove / P.O. Box 1088  
Travelers Rest, SC 29690

Model No.

**B-0536-NPL**

Item No.

Travelers Rest, SC: 800-476-4103 • Simi Valley, CA: 800-423-0150 • Fax: 864-834-3518 • www.tsbrass.com

This Space for Architect/Engineer Approval

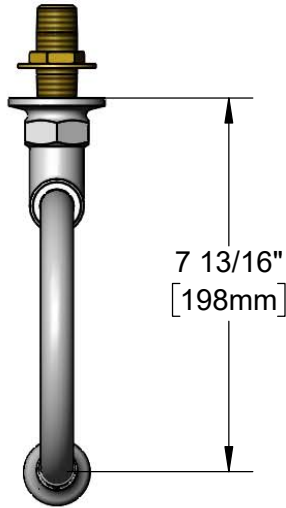
Job Name \_\_\_\_\_ Date \_\_\_\_\_

Model Specified \_\_\_\_\_ Quantity \_\_\_\_\_

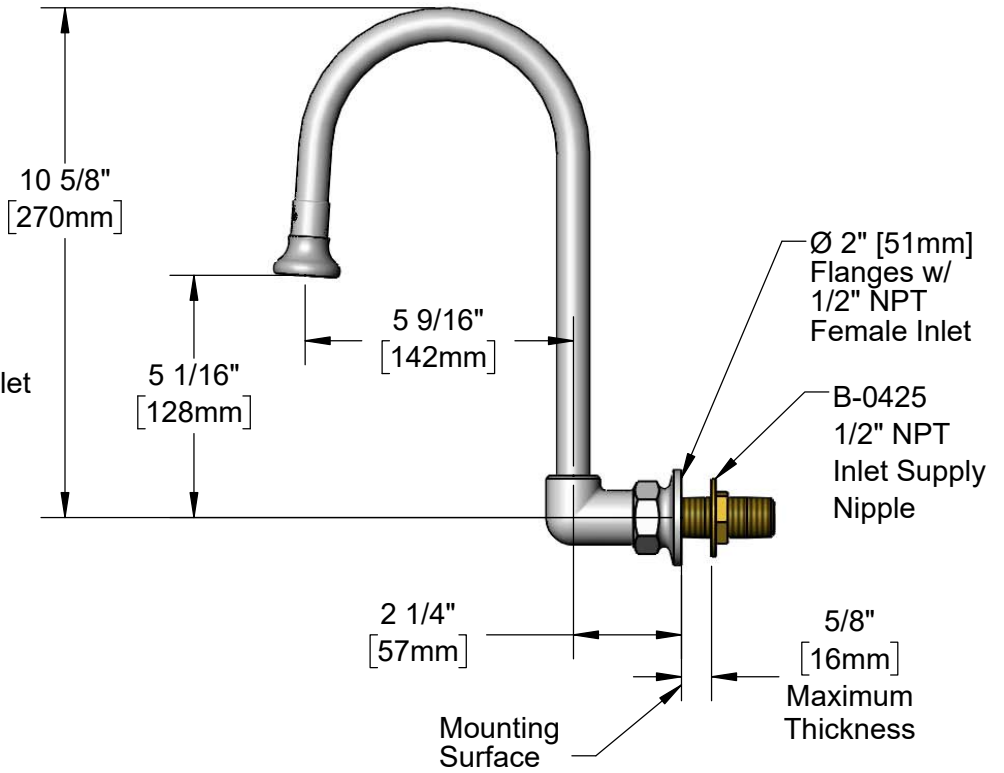
Customer/Wholesaler \_\_\_\_\_

Contractor \_\_\_\_\_

Architect/Engineer \_\_\_\_\_



B-0103  
2.2 GPM  
Rosespray Outlet



Rough-In Requirement:  
Ø 1" [25mm] Mounting Hole

Product Specifications:

Wall Mount Rigid Gooseneck w/ 2.2 GPM Rosespray Outlet, 1/2" Female Inlet & 1/2" NPT Inlet Supply Nipple Kit

Product Compliance:

ASME A112.18.1 / CSA B125.1  
NSF 61 - Section 9  
NSF 372 (Low Lead Content)



**T&S BRASS AND BRONZE WORKS, INC.**  
 2 Saddleback Cove / P.O. Box 1088  
 Travelers Rest, SC 29690

Model No.  
**B-0536-NPL**

Item No.

Travelers Rest, SC: 800-476-4103 • Simi Valley, CA: 800-423-0150 • Fax: 864-834-3518 • www.tsbrass.com

ITEM NO.	SALES NO.	DESCRIPTION
1	B-0103	2.2 GPM Rosespray, 3/8-18 NPT Male
2	006575-45	-015 O-Ring
3	000422-20	1/2" NPT x 2" Supply Nipple
4	002954-45	Shank Lock Nut
5	000999-45	Brass Lock Washer
6	B-0425	1/2" NPT Inlet Supply Nipple Kit



Product Specifications:  
 Wall Mount Rigid Gooseneck w/ 2.2 GPM Rosespray Outlet, 1/2" Female Inlet & 1/2" NPT Inlet Supply Nipple Kit

Product Compliance:  
 ASME A112.18.1 / CSA B125.1  
 NSF 61 - Section 9  
 NSF 372 (Low Lead Content)