



T&S BRASS AND BRONZE WORKS, INC.
 2 Saddleback Cove / P.O. Box 1088
 Travelers Rest, SC 29690

Model No.
B-7242-U10WS8BC

Item No.

Travelers Rest, SC: 800-476-4103 • Simi Valley, CA: 800-423-0150 • Fax: 864-834-3518 • www.tsbrass.com

This Space for Architect/Engineer Approval

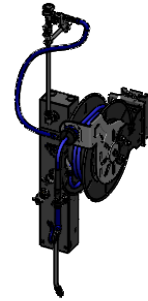
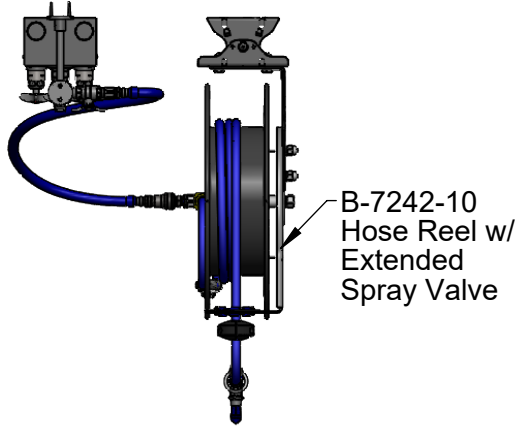
Job Name _____ Date _____

Model Specified _____ Quantity _____

Customer/Wholesaler _____

Contractor _____

Architect/Engineer _____



B-0963
Continuous Pressure
Vacuum Breaker w/
Integral Check Valve

3/8" NPT x 36"
Flexible Water
Connector

Swivel Elbow w/
Ø2" [51mm] Flange,
1/2" NPT Female Inlet

32"
[813mm]

EasyInstall
3/8" NPT x 18" Riser

Stainless Steel
Quick Disconnect

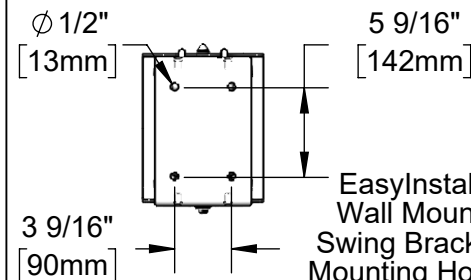
019652-40
3/8" NPT
Live Swivel

EB-2322
High Flow
Extended
Spray Valve

4-Arm Handles &
Quarter-Turn Ceramas
w/ Check Valves

1/2" NPT
Female
Union Inlets

6"
[152mm]



B-0109-01
6" Wall
Bracket

25"
[635mm]

4"

[102mm]

Product Specifications:

Epoxy Coated Hose Reel w/ 50' Hose, High Flow Extended Spray Valve w/ Swivel, EasyInstall Surface Mount SS Hose Reel Cabinet w/ Mixing & Control Valve, 4-Arm Handles, Quarter-Turn Ceramas w/ Check Valves, Dual Check Valves, Inlets for Bottom Supplies, 100 Deg EasyInstall Stainless Steel Swing Bracket w/ Mounting Hardware & Hose Reel Connector Kit

Product Compliance:

NSF 61 Exempt (Non-Potable)
 ASSE 1056 (VB)
 2019 DOE PRSV Non-Compliant



T&S BRASS AND BRONZE WORKS, INC.

2 Saddleback Cove / P.O. Box 1088
Travelers Rest, SC 29690

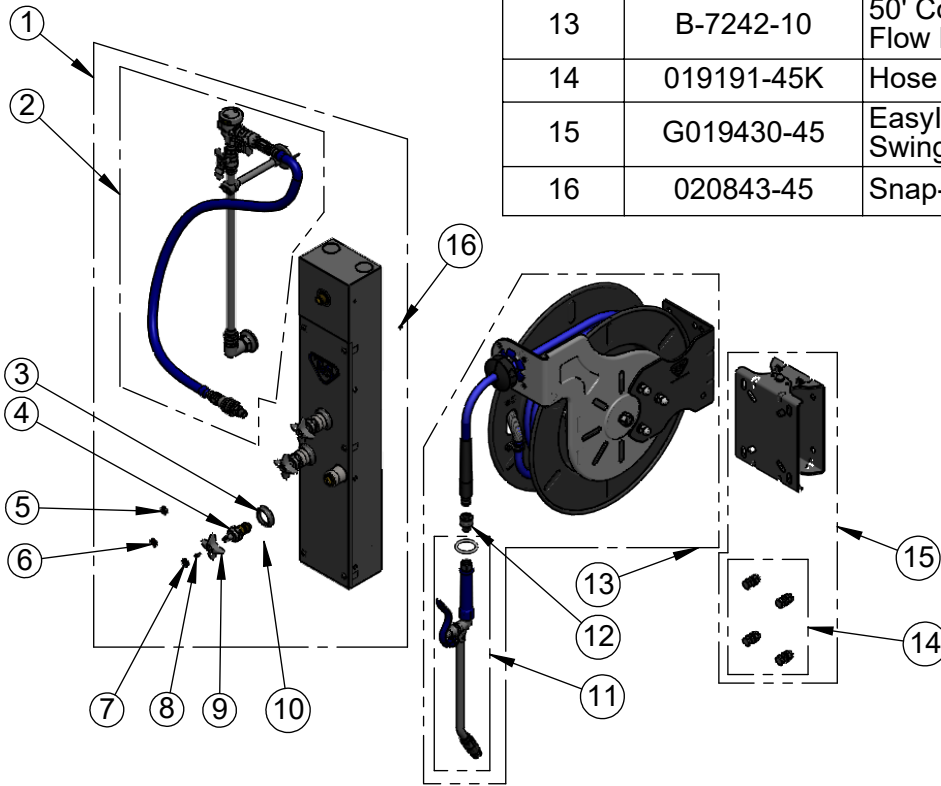
Model No.

B-7242-U10WS8BC

Item No.

Travelers Rest, SC: 800-476-4103 • Simi Valley, CA: 800-423-0150 • Fax: 864-834-3518 • www.tsbrass.com

ITEM NO.	SALES NO.	DESCRIPTION
1	B-1460-SMB-CR	EasyInstall Surface Mount Hose Reel Cabinet w/ Bottom Inlets & Ceramas
2	0RK-SK	Hose Reel Connector Kit
3	020839-40	Narrow Slip Flange w/ Set Screw
4	012394-25NS	Quarter-Turn Cerama Cartridge w/ Check Valve, RTC
5	001205-19NS	White Button Index, Press-In
6	001193-19NS	Red Button Index, Press-in
7	018506-19NS	Blue Button Index, Press-in
8	000925-45	Lab Handle Screw </td
9	002521-45NS	4-Arm Handle (New Style)
10	000939-45	Escutcheon, Set Screw
11	EB-2322	High Flow Extended Spray Valve, Blue
12	019652-40	3/8" NPT Live Swivel
13	B-7242-10	50' Coated Open Hose Reel w/ High Flow Extended Spray Valve
14	019191-45K	Hose Reel Mounting Kit
15	G019430-45	EasyInstall Hose Reel Stainless Steel Swing Bracket
16	020843-45	Snap-In Plug, Nickel-Plated (Pack of 10)



Product Specifications:

Epoxy Coated Hose Reel w/ 50' Hose, High Flow Extended Spray Valve w/ Swivel, EasyInstall Surface Mount SS Hose Reel Cabinet w/ Mixing & Control Valve, 4-Arm Handles, Quarter-Turn Ceramas w/ Check Valves, Dual Check Valves, Inlets for Bottom Supplies, 100 Deg EasyInstall Stainless Steel Swing Bracket w/ Mounting Hardware & Hose Reel Connector Kit

Product Compliance:

NSF 61 Exempt (Non-Potable)
ASSE 1056 (VB)
2019 DOE PRSV Non-Compliant