



T&S BRASS AND BRONZE WORKS, INC.
 2 Saddleback Cove / P.O. Box 1088
 Travelers Rest, SC 29690

Model No.
021005-45

Item No.

Travelers Rest, SC: 800-476-4103 • Simi Valley, CA: 800-423-0150 • Fax: 864-834-3518 • www.tsbrass.com

This Space for Architect/Engineer Approval

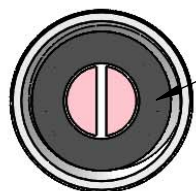
Job Name _____ Date _____

Model Specified _____ Quantity _____

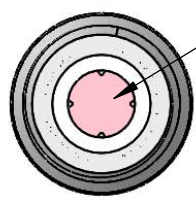
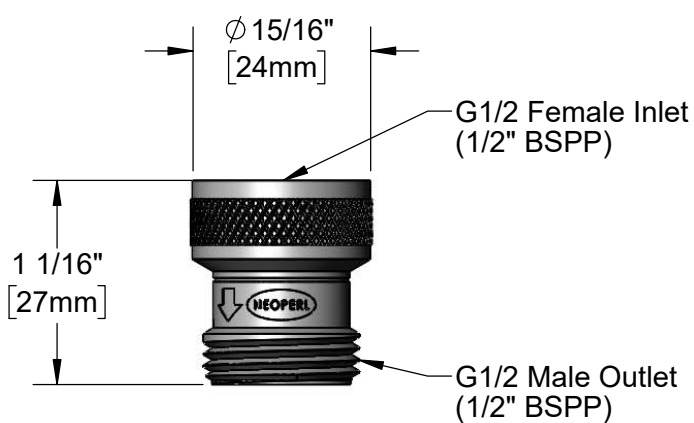
Customer/Wholesaler _____

Contractor _____

Architect/Engineer _____



Rubber Washer



0.26 GPM [1.0 L/min] Flow Regulator

Material: Chrome Plated Brass

Product Specifications:
 Flow Regulator Adapter with G1/2 Female Inlet, G1/2 Male Outlet and
 0.26 GPM [1.0 L/min] Flow Regulator

Product Compliance:
 NSF 61 - Section 9
 NSF 372 (Low Lead Content)