



# T&S BRASS AND BRONZE WORKS, INC.

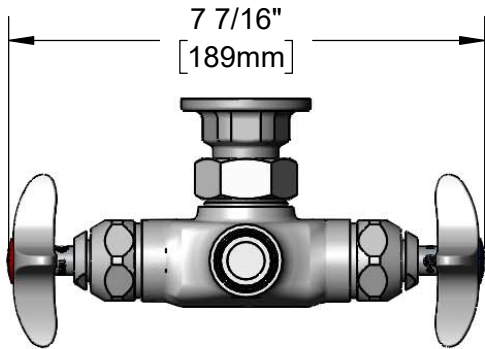
2 Saddleback Cove / P.O. Box 1088  
Travelers Rest, SC 29690

Model No.

**B-0315-LN**

Item No.

Travelers Rest, SC: 800-476-4103 • Simi Valley, CA: 800-423-0150 • Fax: 864-834-3518 • www.tsbrass.com



**ADA Compliant**

This Space for Architect/Engineer Approval

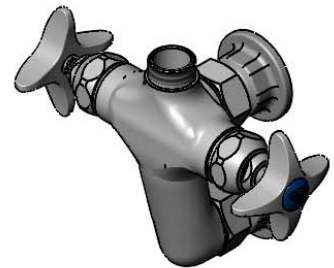
Job Name \_\_\_\_\_ Date \_\_\_\_\_

Model Specified \_\_\_\_\_ Quantity \_\_\_\_\_

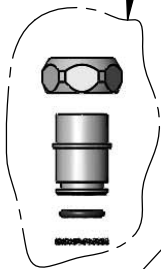
Customer/Wholesaler \_\_\_\_\_

Contractor \_\_\_\_\_

Architect/Engineer \_\_\_\_\_

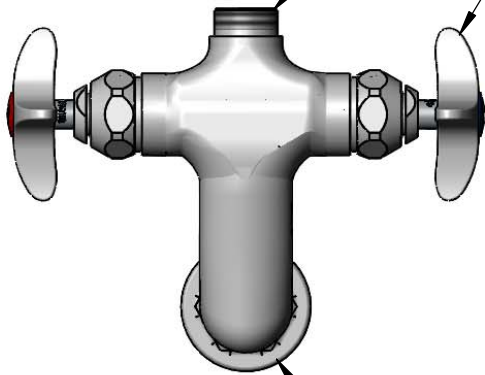


EZ-K  
EasyInstall Kit  
Converts Rigid Risers &  
Nozzles for Use with  
Swivel Outlet (Included)

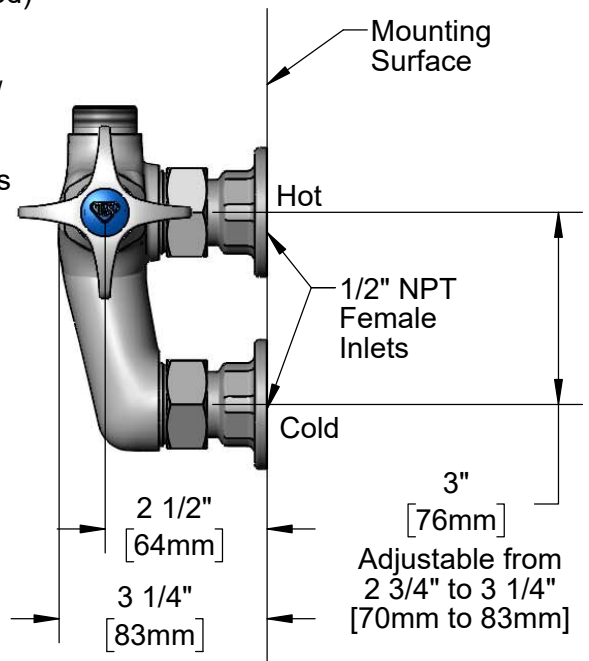


Swivel Outlet Accepts  
Standard T&S Swing Nozzle.  
Converts to Rigid w/  
014200-45  
Lock Washer (Included)

Quarter-Turn  
Eterna Cartridges w/  
Spring Checks &  
Lever Handles w/  
Color Coded Indexes



Ø2"  
[51mm]  
Wall Flange



### Product Specifications:

Wall Mount Vertical Mixing Faucet, Quarter-Turn Eterna Cartridges w/  
Spring Checks, 4-Arm Handles and 1/2" NPT Female Inlets, Less  
Nozzle

### Product Compliance:

ASME A112.18.1 / CSA B125.1  
NSF 61 - Section 9  
NSF 372 (Low Lead Content)  
ANSI A117.1 (ADA)



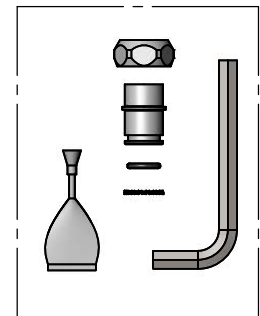
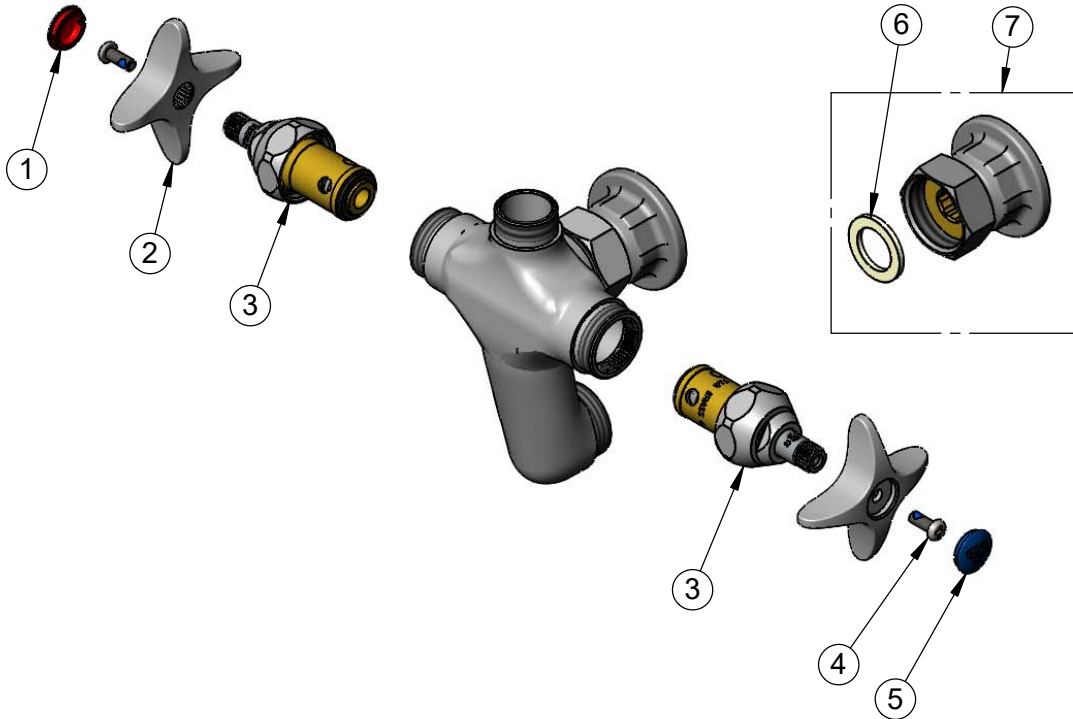
**T&S BRASS AND BRONZE WORKS, INC.**  
 2 Saddleback Cove / P.O. Box 1088  
 Travelers Rest, SC 29690

Model No.  
**B-0315-LN**

Item No.

Travelers Rest, SC: 800-476-4103 • Simi Valley, CA: 800-423-0150 • Fax: 864-834-3518 • www.tsbrass.com

ITEM NO.	SALES NO.	DESCRIPTION
1	001193-19NS	Red Button Index, Press-in
2	002521-45NS	4-Arm Handle (New Style)
3	012443-40NS	Quarter-Turn Eterna Cartridge w/ Spring Check, RTC
4	000925-45	Lab Handle Screw
5	018506-19NS	Blue Button Index, Press-in
6	001019-45	Coupling Nut Washer
7	00AA	1/2" NPT Female Eccentric Flange



**EZ-K**  
 Converts Rigid Outlets to  
 EasyInstall for Use with  
 T&S Swivel Base Faucets

**Product Specifications:**  
 Wall Mount Vertical Mixing Faucet, Quarter-Turn Eterna Cartridges w/  
 Spring Checks, 4-Arm Handles and 1/2" NPT Female Inlets, Less  
 Nozzle

**Product Compliance:**  
 ASME A112.18.1 / CSA B125.1  
 NSF 61 - Section 9  
 NSF 372 (Low Lead Content)  
 ANSI A117.1 (ADA)