



**T&S BRASS AND BRONZE WORKS, INC.**  
 2 Saddleback Cove / P.O. Box 1088  
 Travelers Rest, SC 29690

Model No.  
**B-2990-F05**

Item No.

Travelers Rest, SC: 800-476-4103 • Simi Valley, CA: 800-423-0150 • Fax: 864-834-3518 • www.tsbrass.com



**ADA Compliant**

This Space for Architect/Engineer Approval

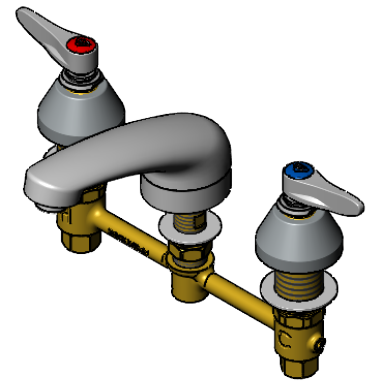
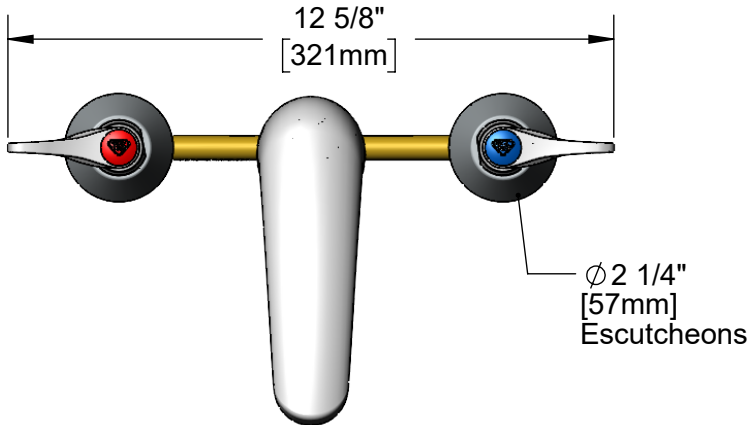
Job Name \_\_\_\_\_ Date \_\_\_\_\_

Model Specified \_\_\_\_\_ Quantity \_\_\_\_\_

Customer/Wholesaler \_\_\_\_\_

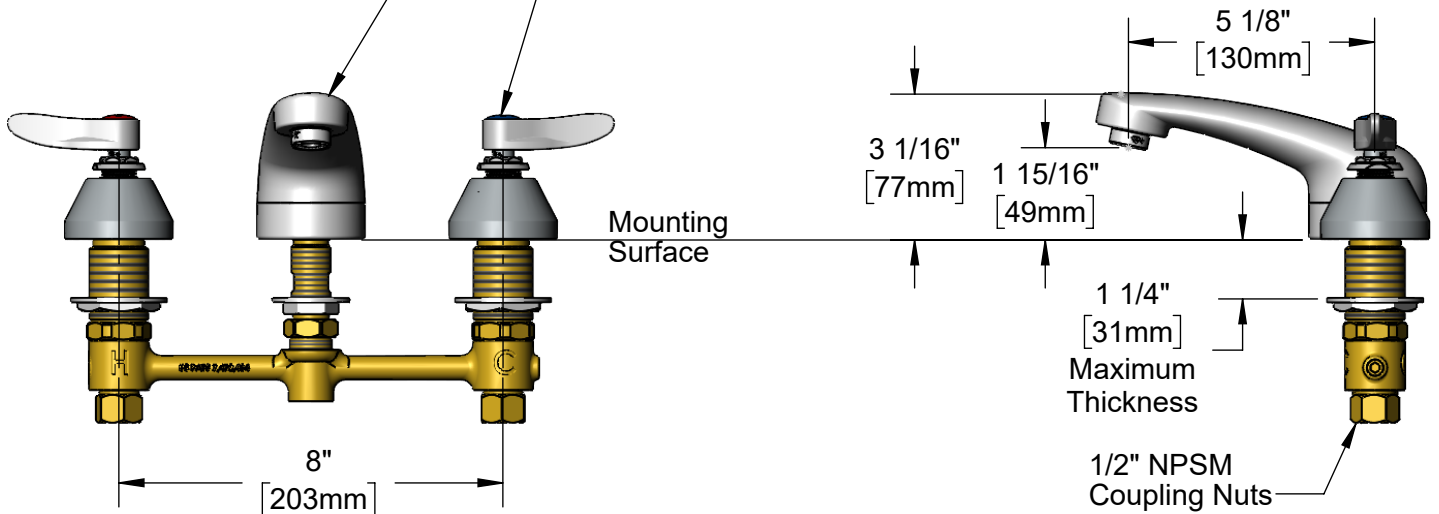
Contractor \_\_\_\_\_

Architect/Engineer \_\_\_\_\_



Lavatory Spout  
 w/ 0.5 GPM Non-Aerated  
 Spray Device

Quarter-Turn Eterna Cartridges  
 w/ Spring Checks & Lever Handles  
 w/ Color Coded Indexes



**Rough-In Requirement:**  
 Center Shank  $\phi$  1" [25mm] Mounting Hole  
 Hot/Cold Side  $\phi$  1 1/2" [38mm] Mounting Holes

**Product Specifications:**  
 8" Concealed Widespread EasyInstall Mixing Faucet, Quarter-Turn Eterna Cartridges w/ Spring Checks, Lever Handles, Lavatory Spout w/ 0.5 GPM Non-Aerated Spray Device & 1/2" NPT Male Inlets w/ Coupling Nuts

**Product Compliance:**  
 ASME A112.18.1 / CSA B125.1  
 NSF 61 - Section 9  
 NSF 372 (Low Lead Content)  
 ANSI A117.1 (ADA)



# T&S BRASS AND BRONZE WORKS, INC.

2 Saddleback Cove / P.O. Box 1088  
Travelers Rest, SC 29690

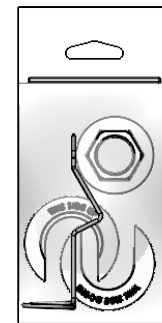
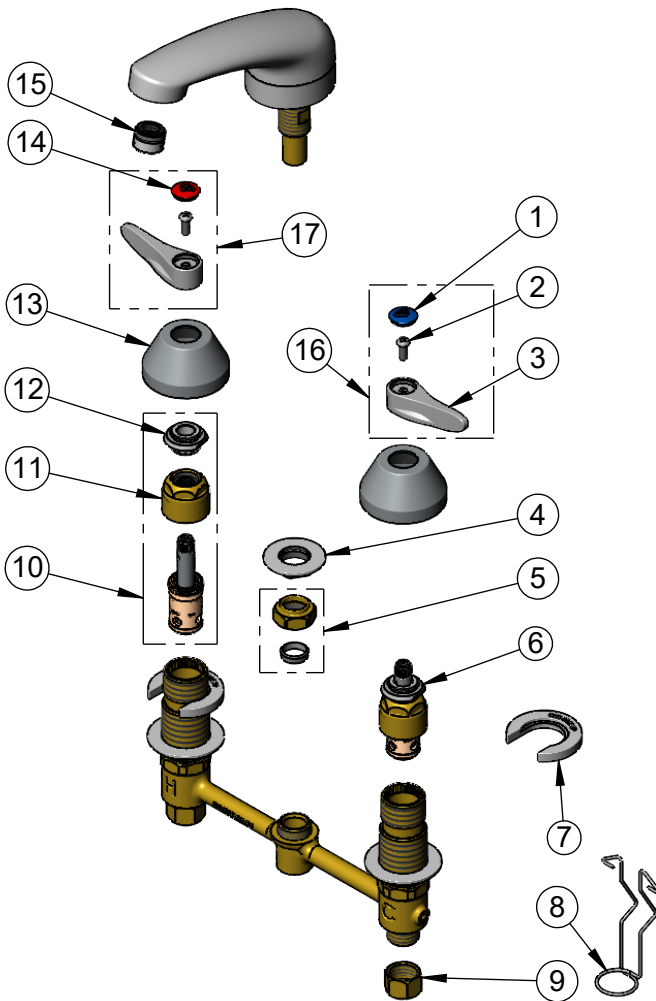
Model No.

**B-2990-F05**

Item No.

Travelers Rest, SC: 800-476-4103 • Simi Valley, CA: 800-423-0150 • Fax: 864-834-3518 • www.tsbrass.com

ITEM NO.	SALES NO.	DESCRIPTION
1	018506-19NS	Blue Button Index, Press-in
2	000925-45	Lab Handle Screw
3	001638-45NS	Lever Handle (New Style)
4	016742-45	Center Flange Nut
5	016745-45	Compression Nut & Fitting
6	016752-40NS	EasyInstall CWS LTC Quarter-Turn Eterna Cartridge w/ Spring Check
7	016749-45	Sidebody C-Washer
8	016777-45	CWS Hanger
9	000958-20	Coupling Nut
10	016753-40NS	EasyInstall CWS RTC Quarter-Turn Eterna Cartridge w/ Spring Check
11	016743-20	CWS Eterna Bonnet
12	009002-40NS	Packing Nut (New Style)
13	001257-40NS	Bell Escutcheon
14	001193-19NS	Red Button Index, Press-in
15	B-0199-03-N05	0.5 GPM Spray Device, 13/16-27 Male
16	001636-45NS	Lever Handle, Blue Index & Screw
17	001637-45NS	Lever Handle, Red Index & Screw



017245-40  
Installation Repair Kit  
Includes #4, (2)#7 & #8

**Product Specifications:**

8" Concealed Widespread EasyInstall Mixing Faucet, Quarter-Turn Eterna Cartridges w/ Spring Checks, Lever Handles, Lavatory Spout w/ 0.5 GPM Non-Aerated Spray Device & 1/2" NPT Male Inlets w/ Coupling Nuts

**Product Compliance:**

ASME A112.18.1 / CSA B125.1  
NSF 61 - Section 9  
NSF 372 (Low Lead Content)  
ANSI A117.1 (ADA)