



Gas Hoses
HG-4D-48G-K

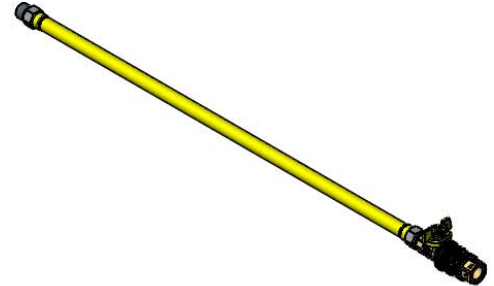
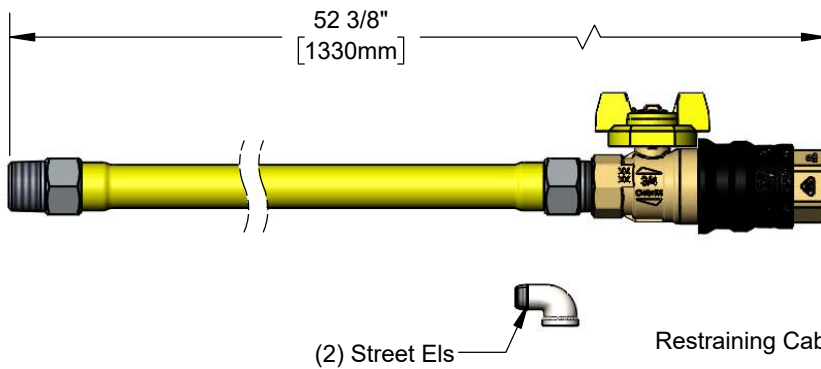
TAG:

SAFE-T-GUARD Gas Hose

Architect/Engineering Specifications:

48" coated gas appliance connector hose with 3/4" NPT male connections, quick-disconnect valve and restraining cable kit. Certified to ANSI Z21.69/CSA 6.16 and NSF 2.

Job Name _____
 Model Specified _____ Quantity _____
 Variations Specified _____
 Date _____



Features & Benefits:

- 48" coated gas appliance connector
- 3/4" NPT male freespin inlet
- 3/4" NPT male freespin outlet
- 3/4" NPT female quick-disconnect valve
- (2) 3/4" NPT street elbows included
- Restraining cable kit included
- 360° rotatable hex nut rotates completely and freely
- Optimum torsional relief improves safety, increases connector life
- Provides efficient, full gas flow
- Quick-disconnect valve acts as shut-off valve when the plug and socket are disconnected
- Material: Extruded coated stainless steel braids

Product Compliance:

- ANSI Z21.69 / CSA 6.16
- NSF 2
- NFPA 54



Warranty: Five Year (Limited)

Performance Data:

- Pressure: 1/2 psi max
- Temperature: 300° F max w/ Fusible Link Thermal Shut-off
- Capacity: 220,000 BTU / hr min



T&S BRASS AND BRONZE WORKS, INC.



• 2 Saddleback Cove • Travelers Rest, SC 29690
 Ph 800-476-4103 • Fax 864-834-3518
 • Simi Valley, CA • Ph 800-423-0150 • www.tsbrass.com

Date: 09/29/20