



Architect/Engineering Specifications:

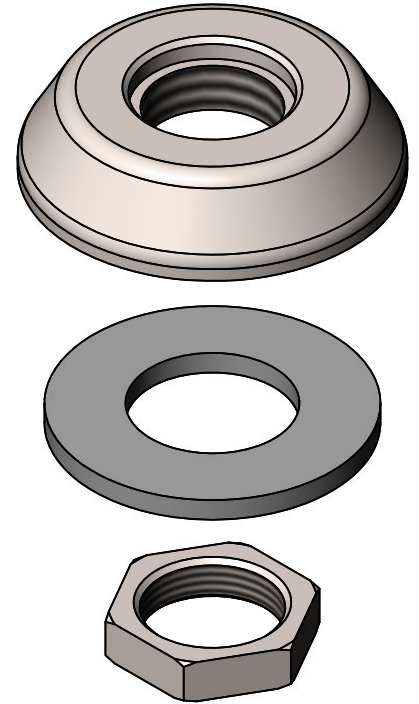
2" adjustable stainless steel slip deck flange with 1/2-14 NPSL threads, washer and stainless steel hex nut 1/2-14 NPSL threads.

Job Name _____
 Model Specified _____ Quantity _____
 Variations Specified _____
 Date _____

Adjustable
Stainless Steel
Slip Deck Flange
with 1/2-14 NPSL
Threads

Delrin Washer

Stainless Steel
Hex Nut with
1/2-14 NPSL
Threads



Features & Benefits:

- Adjustable stainless steel slip deck flange with 1/2-14 NPSL threads
- Delrin washer
- Stainless steel hex nut with 1/2-14 NPSL threads
- Material: Stainless steel

Product Compliance:

- N/A

Warranty: One Year (Limited)

Performance Data:

- N/A

