



ADA Compliant

This Space for Architect/Engineer Approval

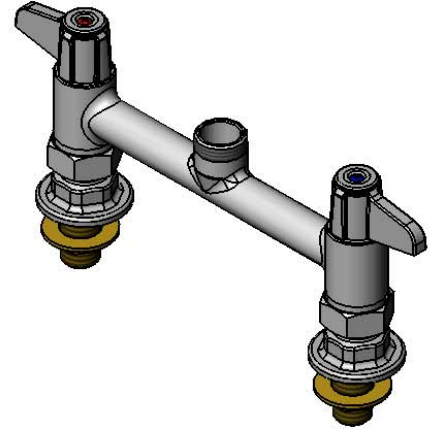
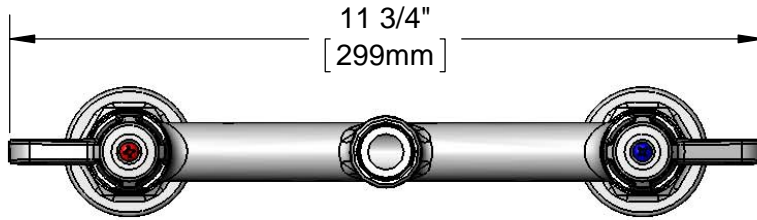
Job Name _____ Date _____

Model Specified _____ Quantity _____

Customer/Wholesaler _____

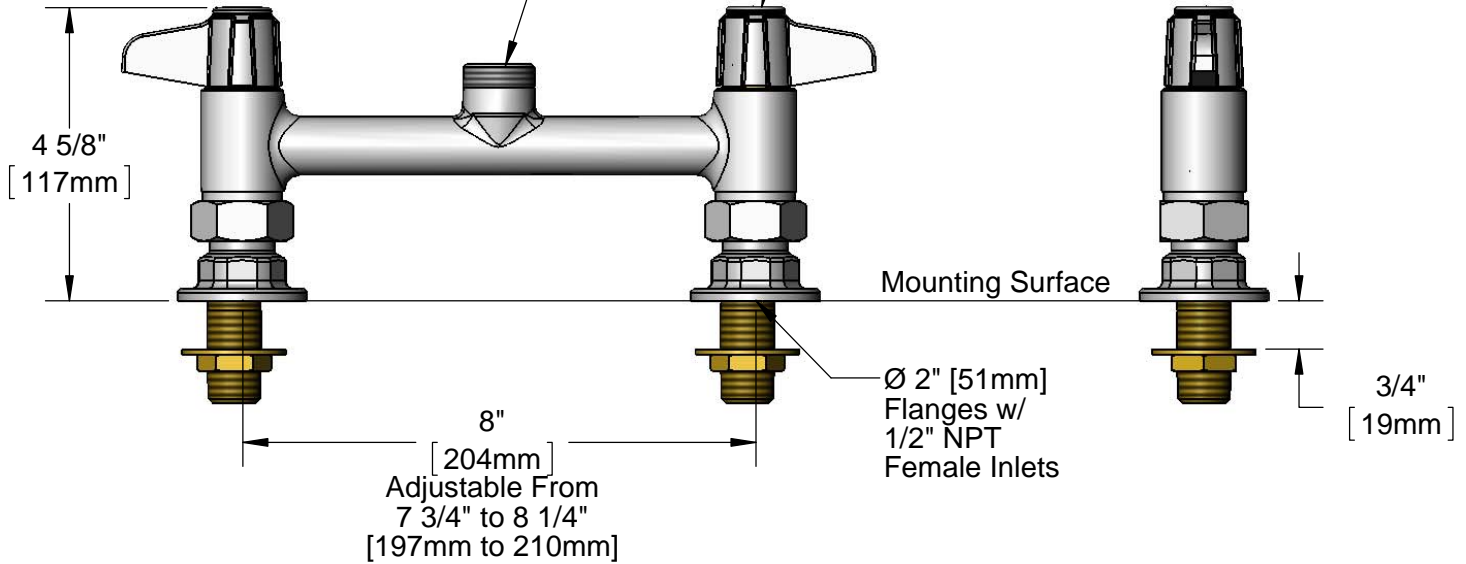
Contractor _____

Architect/Engineer _____



Swivel Outlet Accepts
equip Swing Nozzles.
Rigid Conversion Requires
014200-45 Lock Washer
(Sold Separately)

Quarter-Turn
Ceramic Cartridges &
equip Lever Handles
w/ Color Coded Screws



Rough-In Requirement:
(2) \varnothing 1" [25mm] Mounting Holes

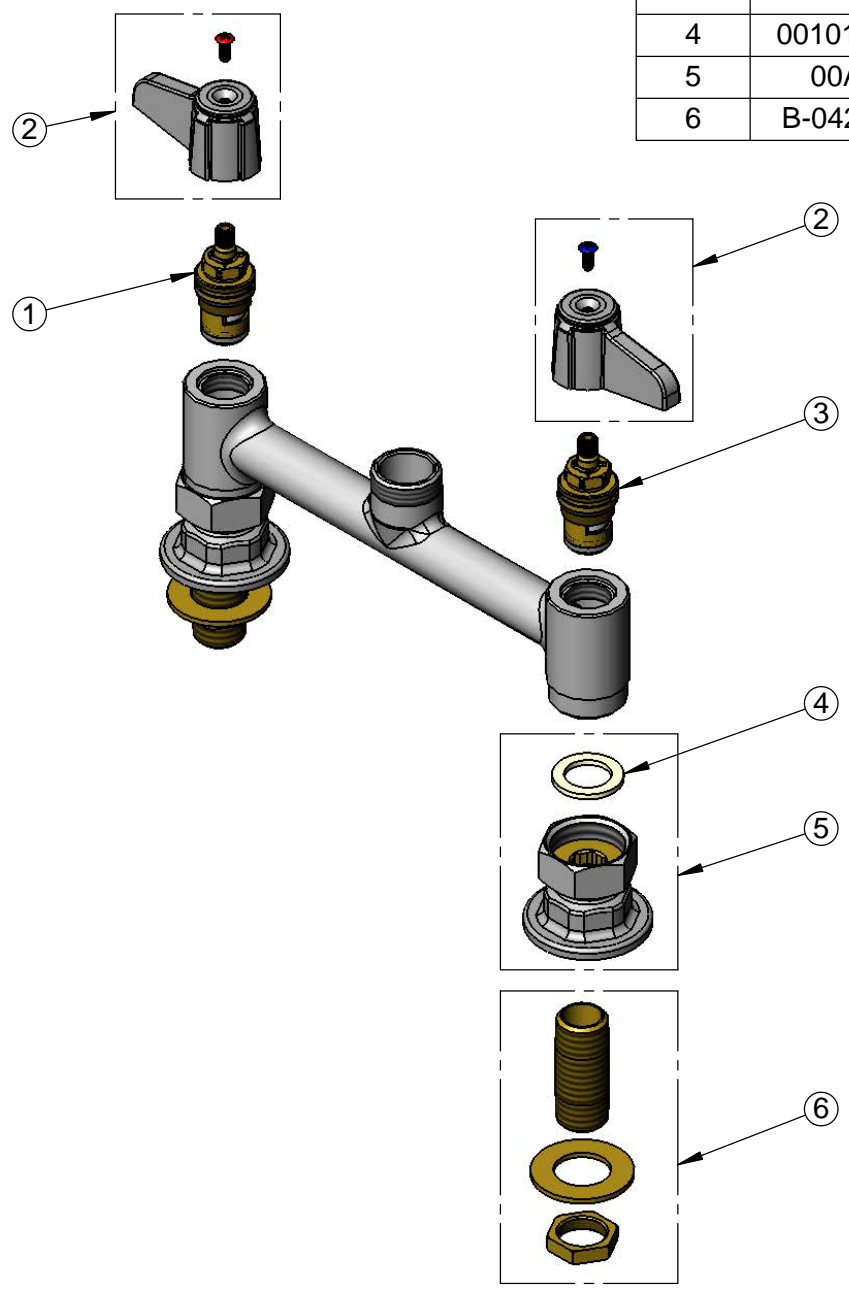
Model Number
5F-8DLS00

Product Specifications:
**8" Deck Mount Mixing Faucet, Less Nozzle, Quarter-Turn
Ceramic Cartridges, equip Lever Handles & 1/2" NPT Supply
Nipple Kit**

Product Compliance:
ASME A112.18.1 / CSA B125.1
NSF 61 - Section 9
NSF 372 (Low Lead Content)
ANSI A117.1 (ADA)

equip Foodservice Accessories  2 Saddleback Cove, P.O. Box 1088
Travelers Rest, South Carolina 29690
Phone: 800.891.4808 Fax: 800.868.0084
equip.tsbrass.com

ITEM NO.	SALES NO.	DESCRIPTION
1	013787-45	equip Quarter-Turn Ceramic Cartridge, RTC
2	5-HDL-L	equip Lever Handle w/ Color Coded Screws
3	013788-45	equip Quarter-Turn Ceramic Cartridge, LTC
4	001019-45	Coupling Nut Washer
5	00AA	1/2" NPT Female Eccentric Flange
6	B-0425-M	1/2" NPT Supply Nipple Kit (2)



Model Number
5F-8DLS00

Product Specifications:
8" Deck Mount Mixing Faucet, Less Nozzle, Quarter-Turn Ceramic Cartridges, equip Lever Handles & 1/2" NPT Supply Nipple Kit

Product Compliance:
ASME A112.18.1 / CSA B125.1
NSF 61 - Section 9
NSF 372 (Low Lead Content)
ANSI A117.1 (ADA)

equip Foodservice Accessories



2 Saddleback Cove, P.O. Box 1088
Travelers Rest, South Carolina 29690
Phone: 800.891.4808 Fax: 800.868.0084
equip.tsbrass.com