



T&S BRASS AND BRONZE WORKS, INC.
 2 Saddleback Cove / P.O. Box 1088
 Travelers Rest, SC 29690

Model No.
012915-45

Item No.

Travelers Rest, SC: 800-476-4103 • Simi Valley, CA: 800-423-0150 • Fax: 864-834-3518 • www.tsbrass.com

This Space for Architect/Engineer Approval

Job Name _____ Date _____

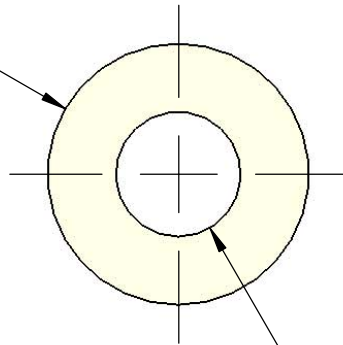
Model Specified _____ Quantity _____

Customer/Wholesaler _____

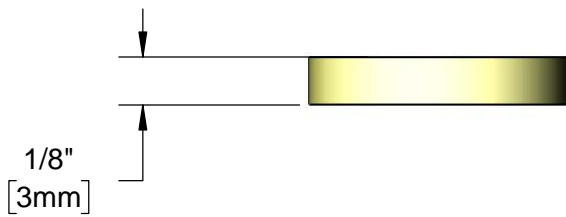
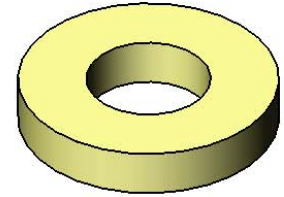
Contractor _____

Architect/Engineer _____

$\phi 5/8"$
 [17mm]



$\phi 3/8"$
 [8mm]



Material: Elastomer

Product Specifications:
 Seal, 8A Bonnet
 3/8" I.D. X 5/8" O.D. X 1/8"

Product Compliance:
 NSF 61 - Section 9
 NSF 372 (Low Lead Content)