



Electronic Faucets

EC-3103-VF15

TAG:

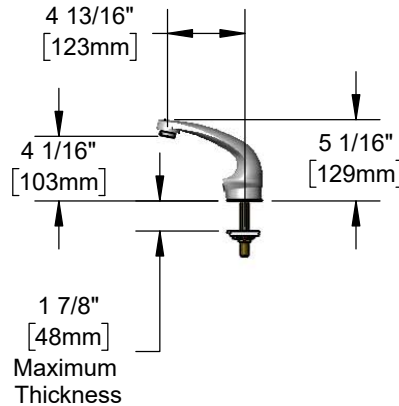
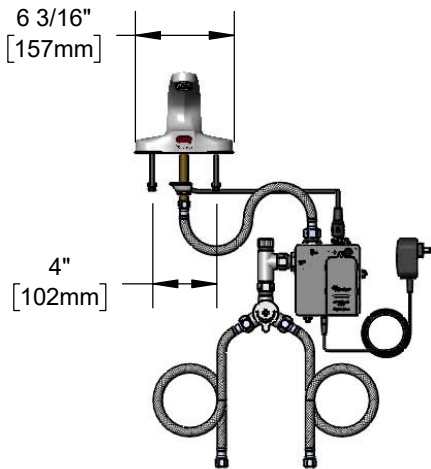


ChekPoint™ Electronic Sensor Faucet

Architect/Engineering Specifications:

4" centerset deck mount electronic sensor faucet with polished chrome plated brass body, cast spout, 1.5 GPM vandal resistant aerator, AC/DC control module with internal flow control setting switches, temperature control mixing valve with integral check valves and 18" flexible stainless steel supply hoses with 3/8" compression connections. Certified to ASME A112.18.1/CSA B125.1, NSF 61-Section 9, NSF 372, EPA WaterSense and UL 1951. Meets ADA ANSI/ICC A117.1 requirements.

Job Name _____
 Model Specified _____ Quantity _____
 Variations Specified _____
 Date _____



Features & Benefits:

- 4" centerset deck mount faucet w/ polished chrome plated brass body w/ cast spout
- 1.5 GPM vandal resistant aerator, Series 8 (B-0199-08-WS)
- Water resistant control module w/ internal flow control switches for adjusting auto time out & shut off delay settings
- Optional auto flush feature flows water for 30 seconds after every 12 inactive hours
- Optional metering mode
- Plug in AC transformer or (4) AA batteries (DC) power options
- Mechanical temperature mixing valve w/ integral check valves
- 18" flexible stainless steel supply hoses w/ 3/8" compression connections
- Low battery LED indicator light
- Material: Polished chrome plated brass body

Product Compliance:

- ASME A112.18.1 / CSA B125.1
- NSF 61 - Section 9
- NSF 372 (Low Lead Content)
- ANSI A117.1 (ADA)
- UL 1951
- EPA WaterSense

Warranty: Three Year (Limited)

Performance Data:

- Pressure: 20 - 125 psi [1.38 - 8.62 bar]
- Temperature: 40 °F - 140 °F [4.44 °C - 60 °C]
- Flow Rate: 1.5 GPM [5.7 L/min] @ 60 psi [4.14 bar]
- Water Consumption: @10 sec = .25 gal [.95 L]
@15 sec = .38 gal [1.42 L]



ADA Compliant



Optional Outlets (Series 3/ VR Series 8)

| GPM | Aerated | Non-Aerated (Laminar) | VR Aerated | VR Non-Aerated (VR Laminar) |
|------|--|---|--|---|
| 0.35 | N/A | <input type="checkbox"/> B-0199-03-N035 | N/A | <input type="checkbox"/> B-0199-08-N035 |
| 0.5 | N/A | <input type="checkbox"/> B-0199-03-N05 | N/A | <input type="checkbox"/> B-0199-08-N05 |
| 1.0 | <input type="checkbox"/> B-0199-03-F10 | N/A | <input type="checkbox"/> B-0199-08-F10 | <input type="checkbox"/> B-0199-08-LF10 |
| 1.2 | <input type="checkbox"/> B-0199-03-F12 | N/A | <input type="checkbox"/> B-0199-08-F12 | N/A |
| 1.5 | <input type="checkbox"/> B-0199-03-WS | N/A | Standard | <input type="checkbox"/> B-0199-08-LF15 |
| 2.2 | <input type="checkbox"/> B-0199-03 | <input type="checkbox"/> B-0199-26 | <input type="checkbox"/> B-0199-08 | <input type="checkbox"/> B-0199-28 |



T&S BRASS AND BRONZE WORKS, INC.



• 2 Saddleback Cove • Travelers Rest, SC 29690
 Ph 800-476-4103 • Fax 864-834-3518
 • Simi Valley, CA • Ph 800-423-0150 • www.tsbrass.com

Date: 04/05/22