



T&S BRASS AND BRONZE WORKS, INC.
 2 Saddleback Cove / P.O. Box 1088
 Travelers Rest, SC 29690

Model No.
HG-2D-36SK-FF

Item No.

Travelers Rest, SC: 800-476-4103 • Simi Valley, CA: 800-423-0150 • Fax: 864-834-3518 • www.tsbrass.com

This Space for Architect/Engineer Approval

Job Name _____ Date _____

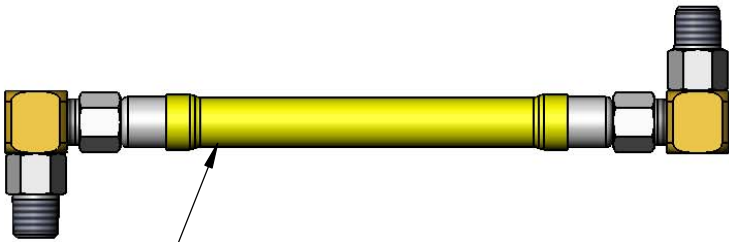
Model Specified _____ Quantity _____

Customer/Wholesaler _____

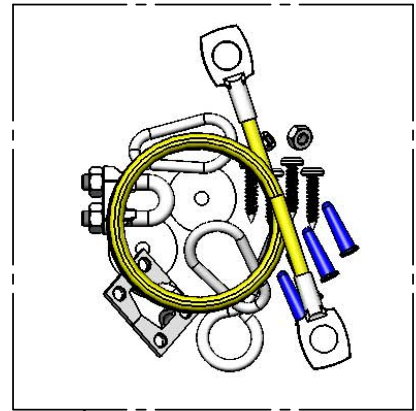
Contractor _____

Architect/Engineer _____

SAFE-T-LINK

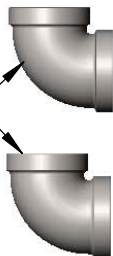


3/4" x 36" [914mm] Coated Gas Connector
 w/ 3/4" NPT Quick Disconnect Coupling &
 3/4" SwiveLink Fittings



AG-RC
 Restraining Cable Kit

AG-8D-FF
 3/4" 90° Gas Elbows



3/4" Short Nipples



AG-7D
 3/4" Ball Valve

Product Specifications:

Safe-T-Link Gas Appliance Connector: Coated Hose, 3/4" NPT Male Ends, Swivel Links, (2) 90° Gas Elbows, (2) Short Nipples, Ball Valve & Restraining Cable Kit

Product Compliance:

ANSI Z21.69 / CSA 6.16
 NSF 2
 NFPA 54