



T&S BRASS AND BRONZE WORKS, INC.

2 Saddleback Cove / P.O. Box 1088
Travelers Rest, SC 29690

Model No.

MPY-2DCV-08

Item No.

Travelers Rest, SC: 800-476-4103 • Simi Valley, CA: 800-423-0150 • Fax: 864-834-3518 • www.tsbrass.com

This Space for Architect/Engineer Approval

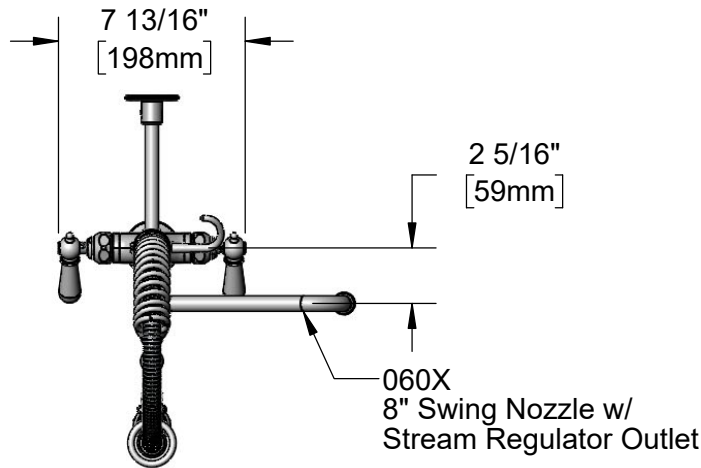
Job Name _____ Date _____

Model Specified _____ Quantity _____

Customer/Wholesaler _____

Contractor _____

Architect/Engineer _____



060X
8" Swing Nozzle w/
Stream Regulator Outlet

24" Flexible Stainless
Steel Hose w/ Spring
& Spray Valve

Items Not Shown
For Clarity

3/8" NPT x 8" Riser

B-0107-C
0.65 GPM
Low Flow
Spray Valve

Finger
Hook

B-0109-01
6" Wall
Bracket

24 13/16"
[630mm]

B-0970-FEZ
Vacuum
Breaker

8"
[204mm]

15 3/16"
[386mm]

12 1/16"
[306mm]

6 3/4"
[171mm]

EasyInstall Add-On
Faucet w/ Quarter-
Turn Eterna
Cartridge & Club
Handle

Mounting
Surface

Ø 2 1/4"
[57mm]

Quarter-Turn Eterna
Cartridges w/ Spring
Check & Club Handles

7 3/8"
[187mm]

1 7/8"
[48mm]

18" Flexible Stainless
Steel Supply Hoses

Maximum
Thickness

Compression Fittings
for 5/8" Copper Tubing
(Remove Compression
Nut for 1/2" NPSM Male)

Rough-In Requirement:
Ø 1 1/2" [38mm] Mounting Hole

Product Specifications:

EasyInstall Pre-Rinse Unit: Single Hole Deck Mount Mixing Faucet, Quarter-Turn Eterna Cartridges w/ Spring Checks, Club Handles, Add-On Faucet w/ 8" Swing Nozzle, Vacuum Breaker, Compact Spring, 24" Flexible Stainless Steel Hose, 0.65 GPM Low Flow Spray Valve, 6" Wall Bracket & (2) Flexible Supply Hoses

Product Compliance:

ASME A112.18.1 / CSA B125.1
NSF 61 - Section 9
NSF 372 (Low Lead Content)
2019 DOE PRSV - Class I
CSA B64.8 (VB)
For Commercial Use Only

Drawn: LSA

Checked: JRM

Approved: JHB

Date: 09/20/19

Scale: 1:8

Sheet: 1 of 2



T&S BRASS AND BRONZE WORKS, INC.

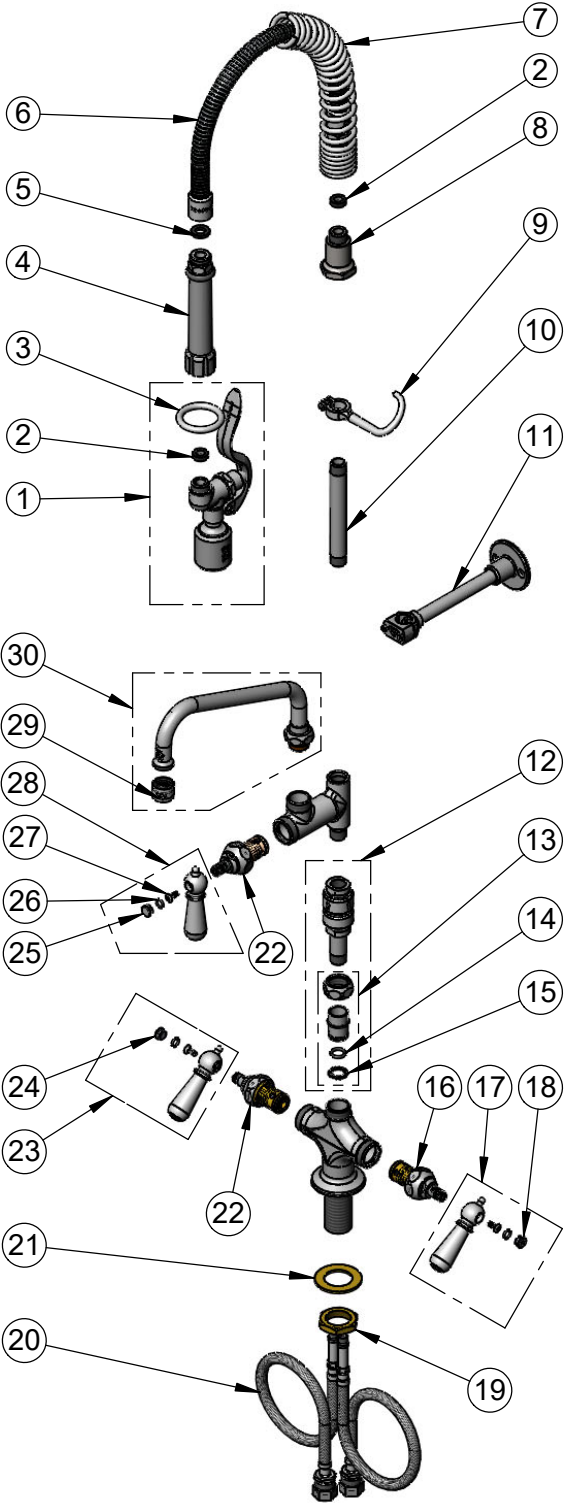
2 Saddleback Cove / P.O. Box 1088
Travelers Rest, SC 29690

Model No.

MPY-2DCV-08

Item No.

Travelers Rest, SC: 800-476-4103 • Simi Valley, CA: 800-423-0150 • Fax: 864-834-3518 • www.tsbrass.com



ITEM NO.	SALES NO.	DESCRIPTION
1	B-0107-C	0.65 GPM Low Flow Spray Valve
2	010476-45	#27 Washer
3	000907-45	Spray Valve Hold Down Ring
4	002987-40	Grip Handle
5	001014-45	Washer, B-0100 Hose Barrel
6	B-0024-H2A	24" Flexible Stainless Steel Hose, Less Handle
7	016795-45	Compact Spring
8	000821-40	Spring Body
9	004R	Finger Hook
10	001617-40	Nipple, 3/8" NPT x 5-3/16"
11	B-0109-01	6" Wall Bracket
12	B-0970-FEZ	EasyInstall Vacuum Breaker
13	EZ-K	EasyInstall Kit: Nut, Bushing, O-ring, & Lock Washer
14	001065-45	O-Ring
15	014200-45	Star Washer, Anti-Rotation
16	012442-40NS	Quarter-Turn Eterna Cartridge w/ Spring Check, LTC
17	009331-41	Decorative Handle, Cold
18	009304-41	Decorative Cap Insert, Cold
19	000965-45	Lock Nut
20	012534-45	Flexible Connector Hose
21	002290-45	Lock Washer
22	012443-40NS	Quarter-Turn Eterna Cartridge w/ Spring Check, RTC
23	009332-41	Decorative Handle, Hot
24	009303-41	Decorative Cap Insert, Hot
25	009285-40	Cap Insert Blank
26	001066-45	O-Ring
27	000922-45	Lever Handle Screw
28	017181-41	Decorative Handle, Blank
29	B-PT	Full Flow Stream Regulator
30	060X	8" Swing Nozzle

Product Specifications:

EasyInstall Pre-Rinse Unit: Single Hole Deck Mount Mixing Faucet, Quarter-Turn Eterna Cartridges w/ Spring Checks, Club Handles, Add-On Faucet w/ 8" Swing Nozzle, Vacuum Breaker, Compact Spring, 24" Flexible Stainless Steel Hose, 0.65 GPM Low Flow Spray Valve, 6" Wall Bracket & (2) Flexible Supply Hoses

Product Compliance:

ASME A112.18.1 / CSA B125.1
NSF 61 - Section 9
NSF 372 (Low Lead Content)
2019 DOE PRSV - Class I
CSA B64.8 (VB)
For Commercial Use Only