



# T&S BRASS AND BRONZE WORKS, INC.

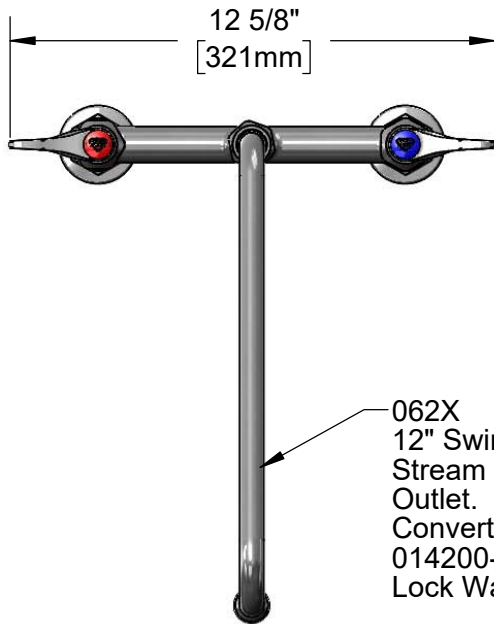
2 Saddleback Cove / P.O. Box 1088  
Travelers Rest, SC 29690

Model No.

**B-2280-CR**

Item No.

Travelers Rest, SC: 800-476-4103 • Simi Valley, CA: 800-423-0150 • Fax: 864-834-3518 • www.tsbrass.com



This Space for Architect/Engineer Approval

Job Name \_\_\_\_\_ Date \_\_\_\_\_

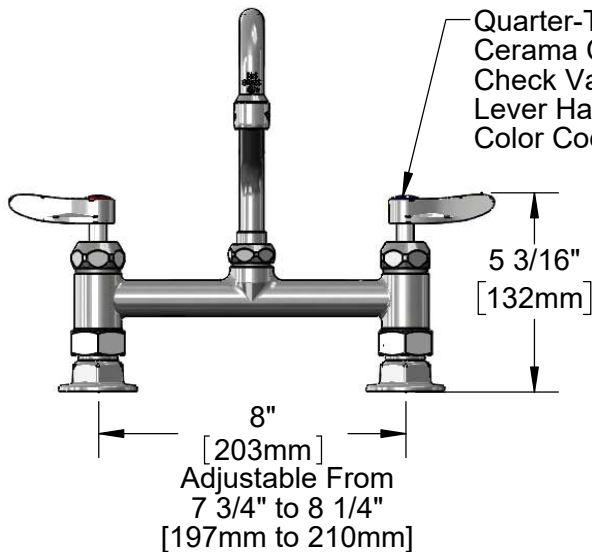
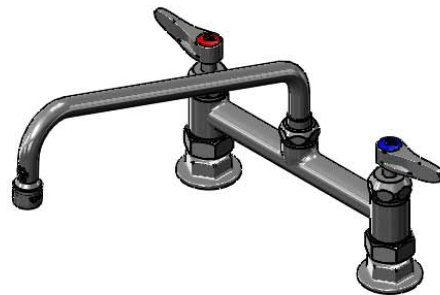
Model Specified \_\_\_\_\_ Quantity \_\_\_\_\_

Customer/Wholesaler \_\_\_\_\_

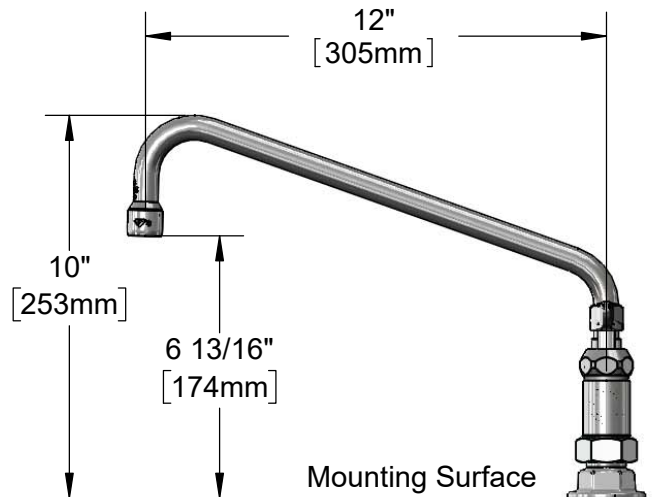
Contractor \_\_\_\_\_

Architect/Engineer \_\_\_\_\_

062X  
12" Swing Nozzle w/  
Stream Regulator  
Outlet.  
Converts to Rigid w/  
014200-45  
Lock Washer (Included)



Quarter-Turn  
Cerama Cartridges w/  
Check Valves &  
Lever Handles w/  
Color Coded Indexes



Mounting Surface



B-0425-M  
1/2" NPT  
Supply Nipple Kit (2)  
(Included)

Ø 2" [51mm]  
Flanges w/  
1/2" NPT  
Female Inlets

Rough-In Requirement:  
(2) Ø 1" [25mm] Mounting Holes

Product Specifications:  
8" Deck Mount Mixing Faucet, Quarter-Turn Cerama Cartridges w/  
Check Valves, Lever Handles, 12" Swing Nozzle w/ Stream Regulator  
Outlet & 1/2" NPT Female Inlets

Product Compliance:  
ASME A112.18.1 / CSA B125.1  
NSF 61 - Section 9  
NSF 372 (Low Lead Content)  
ANSI A117.1 (ADA)



**T&S BRASS AND BRONZE WORKS, INC.**  
 2 Saddleback Cove / P.O. Box 1088  
 Travelers Rest, SC 29690

Model No.  
**B-2280-CR**  
 Item No.

Travelers Rest, SC: 800-476-4103 • Simi Valley, CA: 800-423-0150 • Fax: 864-834-3518 • www.tsbrass.com

ITEM NO.	SALES NO.	DESCRIPTION
1	B-PT	Full Flow Stream Regulator, 55/64-27
2	062X	12" Swing Nozzle
3	009538-45	Swivel Washer
4	011429-45	Swivel Sleeves (2)
5	001074-45	O-Ring
6	014200-45	Star Washer, Anti-Rotation
7	018506-19NS	Blue Button Index, Press-in
8	000925-45	Lab Handle Screw
9	001638-45NS	Lever Handle (New Style)
10	012395-25NS	Quarter-Turn Cerama Cartridge w/ Check Valve, LTC
11	012447-25NS	Quarter-Turn Cerama Cartridge w/ Check Valve, Handle, Blue Index & Screw, LTC
12	001019-45	Coupling Nut Washer
13	00AA	1/2" NPT Female Eccentric Flange
14	000422-20	1/2" NPT x 2" Supply Nipple
15	B-0425-M	1/2" NPT Male Supply Nipple Kit (2)
16	000999-45	Brass Lock Washer
17	002954-45	Shank Lock Nut
18	012394-25NS	Quarter-Turn Cerama Cartridge w/ Check Valve, RTC
19	012446-25NS	Quarter-Turn Cerama Cartridge w/ Check Valve, Handle, Red Index & Screw, RTC
20	001193-19NS	Red Button Index, Press-in

**Product Specifications:**  
 8" Deck Mount Mixing Faucet, Quarter-Turn Cerama Cartridges w/ Check Valves, Lever Handles, 12" Swing Nozzle w/ Stream Regulator Outlet & 1/2" NPT Female Inlets

**Product Compliance:**  
 ASME A112.18.1 / CSA B125.1  
 NSF 61 - Section 9  
 NSF 372 (Low Lead Content)  
 ANSI A117.1 (ADA)