

This Space for Architect/Engineer Approval

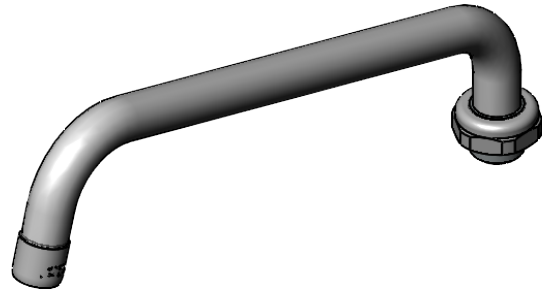
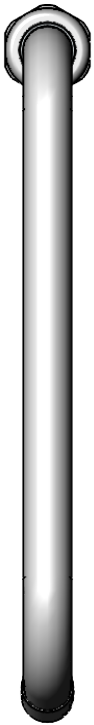
Job Name _____ Date _____

Model Specified _____ Quantity _____

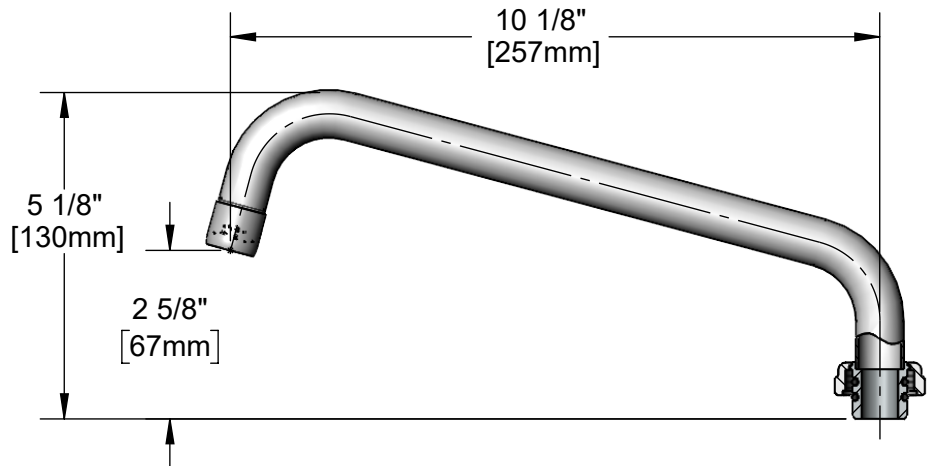
Customer/Wholesaler _____

Contractor _____


Architect/Engineer _____



3/4-27 Aerator,
2.2 GPM



Note:
Conversion to Rigid Requires 014200-45 Lock Washer
(Available Separately)

Model Number 5SP-10A	Product Specifications: 10" Swing Nozzle w/ 2.2 GPM Aerator				
Product Compliance: ASME A112.18.1 / CSA B125.1 NSF 61 - Section 9 NSF 372 (Low Lead Content)	 <p>2 Saddleback Cove, P.O. Box 1088 Travelers Rest, South Carolina 29690 Phone: 800.891.4808 Fax: 800.868.0084 equip.tsbrass.com</p>				
Drawn: TRK	Checked: JRM	Approved: JHB	Date: 10/30/23	Scale: 1:3	Sheet: 1 of 1