



**T&S BRASS AND BRONZE WORKS, INC.**  
 2 Saddleback Cove / P.O. Box 1088  
 Travelers Rest, SC 29690

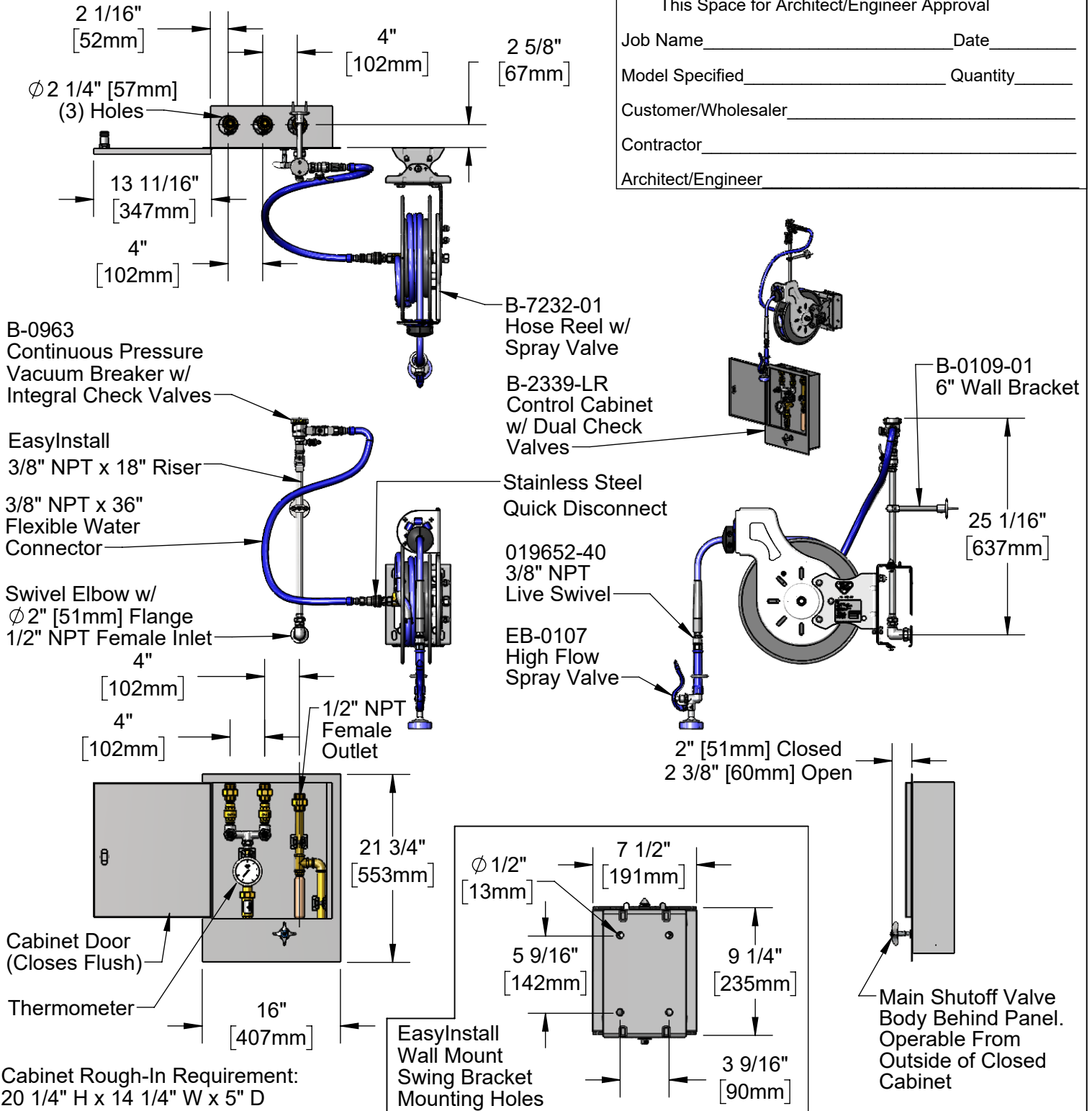
Model No.  
**B-7232-U01WS5**

Item No.

Travelers Rest, SC: 800-476-4103 • Simi Valley, CA: 800-423-0150 • Fax: 864-834-3518 • www.tsbrass.com

This Space for Architect/Engineer Approval

Job Name \_\_\_\_\_ Date \_\_\_\_\_  
 Model Specified \_\_\_\_\_ Quantity \_\_\_\_\_  
 Customer/Wholesaler \_\_\_\_\_  
 Contractor \_\_\_\_\_  
 Architect/Engineer \_\_\_\_\_



**Product Specifications:**  
 Open Coated Hose Reel w/ 35' Hose, High Flow Spray Valve w/ Swivel, Rinse Control Cabinet w/ Control Valve, Dual Check Valves, Thermometer and Water Hammer Arrestor, 100° EasyInstall Stainless Steel Swing Bracket w/ Mounting Hardware & Hose Reel Connector Kit

**Product Compliance:**  
 ASSE 1010 (Arrestor)  
 ASSE 1024 (VB)  
 NSF 61 Exempt (Non-Potable)  
 2019 DOE PRSV Non-Compliant  
 ASSE 1056 (VB)



# T&S BRASS AND BRONZE WORKS, INC.

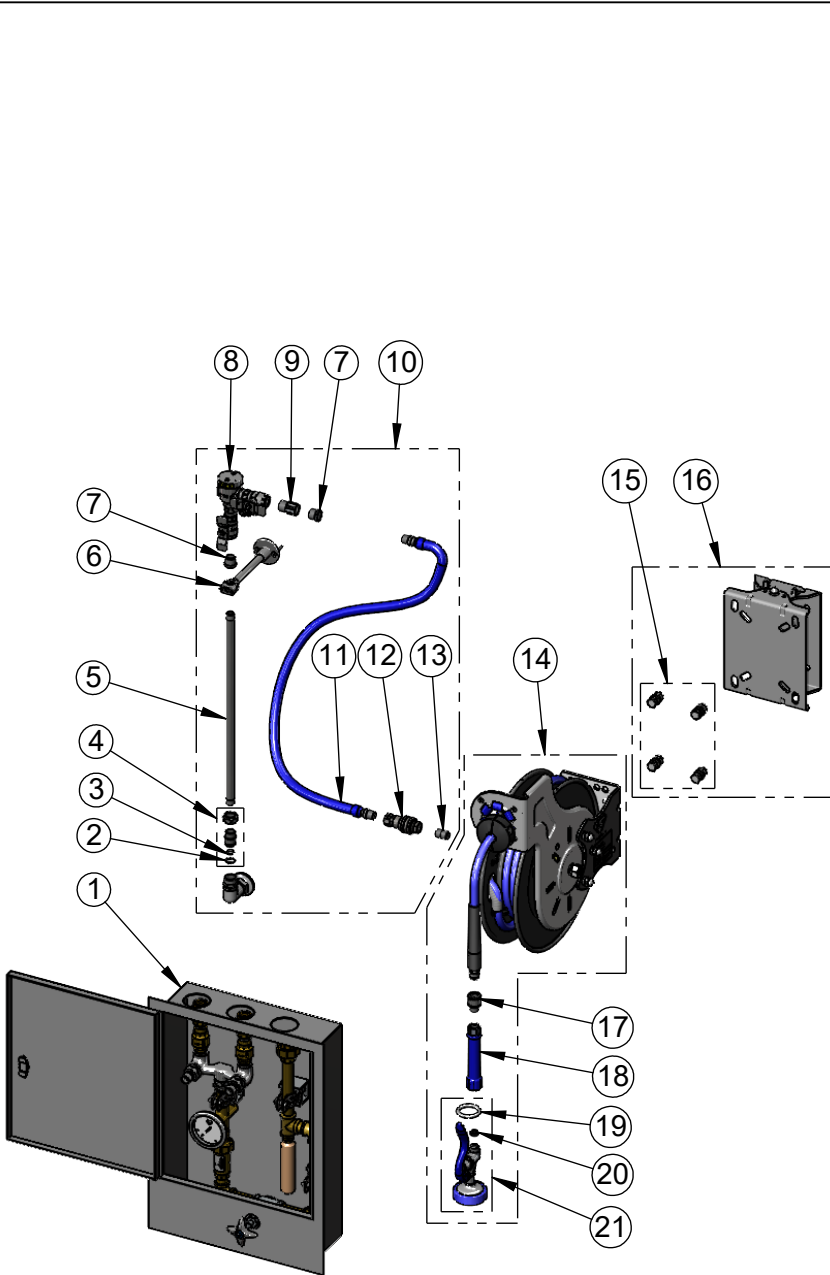
2 Saddleback Cove / P.O. Box 1088  
Travelers Rest, SC 29690

Model No.

**B-7232-U01WS5**

Item No.

Travelers Rest, SC: 800-476-4103 • Simi Valley, CA: 800-423-0150 • Fax: 864-834-3518 • www.tsbrass.com



ITEM NO.	SALES NO.	DESCRIPTION
1	B-2339-LR	Reel Control Cabinet w/ Control Valve, Dual Check Valves & Thermometer
2	014200-45	Star Washer, Anti-Rotation
3	001065-45	O-Ring
4	EZ-K	EasyInstall Kit: Nut, Bushing, O-Ring & Lock Washer
5	000369-40	3/8" NPT x 18" Riser
6	B-0109-01	6" Wall Bracket
7	001359-40	Hex Bushing, 1/2" NPT Male x 3/8" NPT Female
8	B-0963	Vacuum Breaker 1/2" NPT Female
9	015073-40	Check Valve w/ 1/2" NPT Adapter
10	ORK-SK	Hose Reel Connector Kit
11	HW-2B-36	3/8" NPT x 36" Flexible Water Hose
12	AW-5B	3/8" NPT Quick Disconnect
13	002535-25	3/8" Close Nipple
14	B-7232-01	Open Coated Reel w/ 35' of 3/8" Hose & Blue Spray Valve
15	019191-45K	Hose Reel Mounting Kit
16	G019430-45	EasyInstall Hose Reel Stainless Steel Swing Bracket
17	019652-40	3/8" NPT Live Swivel
18	012504-40	Blue Grip Handle
19	000907-45	Spray Valve Hold Down Ring
20	010476-45	#27 Washer
21	EB-0107	High Flow Spray Valve

**Product Specifications:**

Open Coated Hose Reel w/ 35' Hose, High Flow Spray Valve w/ Swivel, Rinse Control Cabinet w/ Control Valve, Dual Check Valves, Thermometer and Water Hammer Arrestor, 100° EasyInstall Stainless Steel Swing Bracket w/ Mounting Hardware & Hose Reel Connector Kit

**Product Compliance:**

ASSE 1010 (Arrestor)  
ASSE 1024 (VB)  
NSF 61 Exempt (Non-Potable)  
2019 DOE PRSV Non-Compliant  
ASSE 1056 (VB)