



**ADA Compliant**

*This Space for Architect/Engineer Approval*

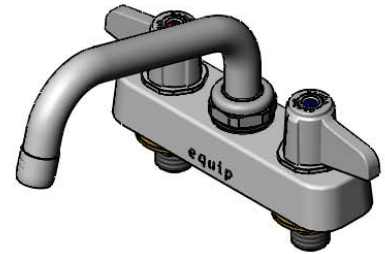
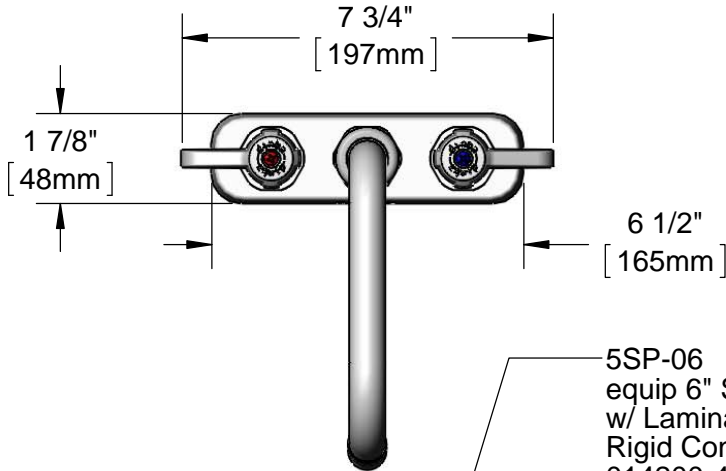
Job Name \_\_\_\_\_ Date \_\_\_\_\_

Model Specified \_\_\_\_\_ Quantity \_\_\_\_\_

Customer/Wholesaler \_\_\_\_\_

Contractor \_\_\_\_\_

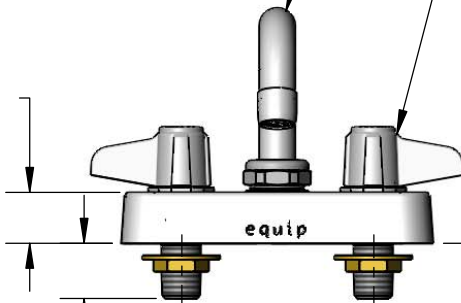
Architect/Engineer \_\_\_\_\_



5SP-06  
equip 6" Swing Nozzle  
w/ Laminar Full Flow Device.  
Rigid Conversion Requires  
014200-45 Lock Washer  
(Sold Separately)

Ceramic Cartridges &  
equip Lever Handles w/  
Color Coded Screws

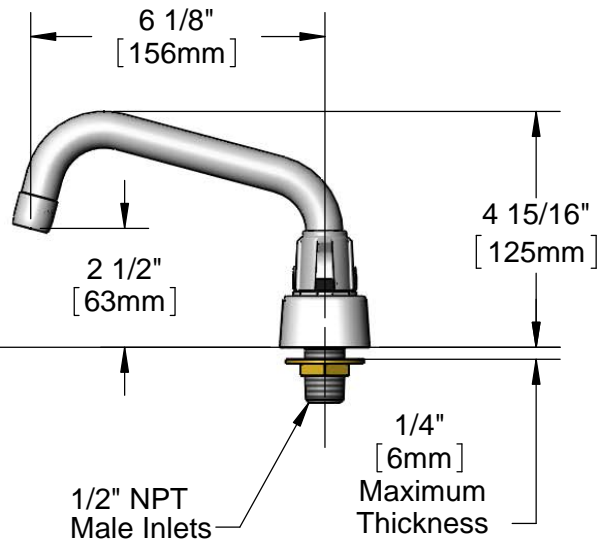
1 1/16"  
[27mm]



Mounting Surface

1 1/8"  
[29mm]

4"  
[102mm]



1/2" NPT  
Male Inlets

1/4"  
[6mm]  
Maximum  
Thickness

Rough-in Requirement:  
(2) Ø 1" [25mm] Mounting Holes

Model Number

**5F-4CLX06**

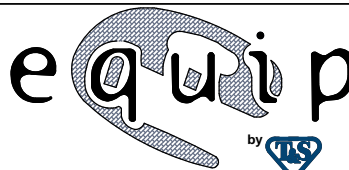
Product Specifications:

4" Deck Mount Mixing Faucet w/ Ceramic Cartridges,  
equip Lever Handles, equip 6" Swing Nozzle  
& 1/2" NPT Male Inlets

Product Compliance:

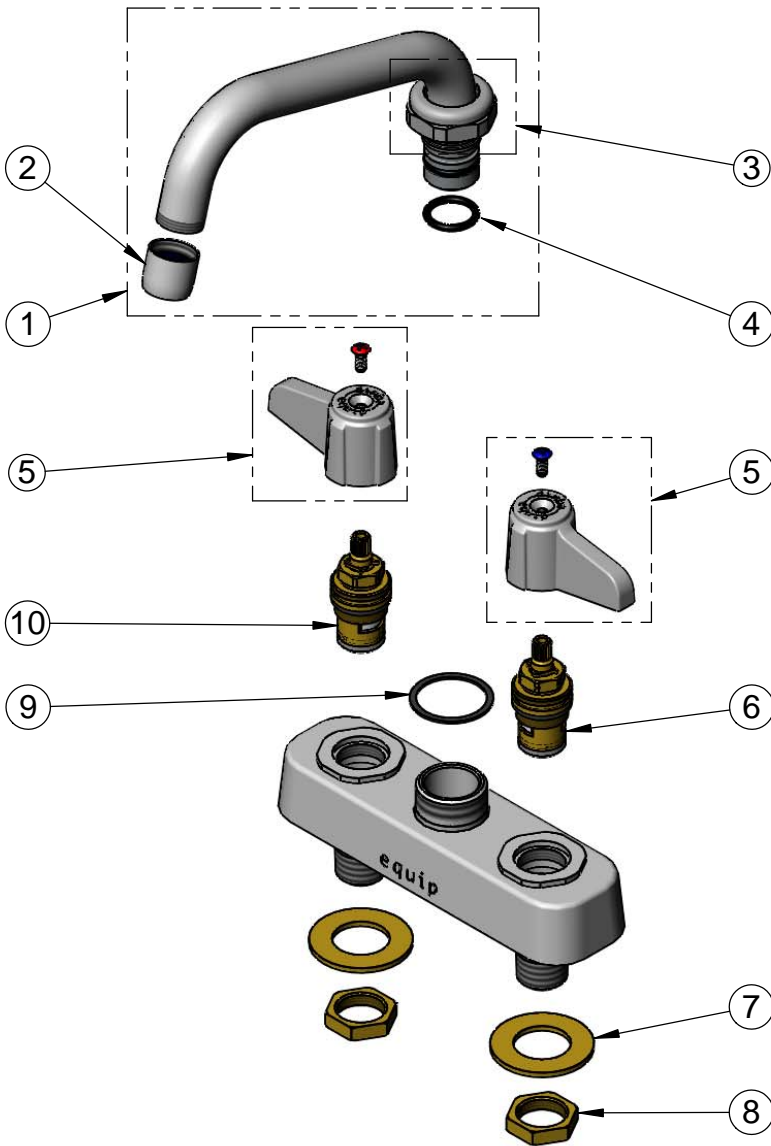
ASME A112.18.1 / CSA B125.1  
NSF 61 - Section 9  
NSF 372 (Low Lead Content)  
ANSI A117.1 (ADA)

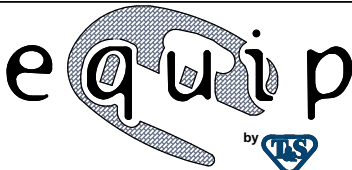
equip  
Foodservice  
Accessories



2 Saddleback Cove, P.O. Box 1088  
Travelers Rest, South Carolina 29690  
Phone: 800.891.4808 Fax: 800.868.0084  
equip.tsbrass.com

ITEM NO.	SALES NO.	DESCRIPTION
1	5SP-06	equip 6" Swing Nozzle
2	014250-45	Laminar Full Flow Device
3	013839-25	equip Swivel Nut
4	013848-45	O-Ring
5	5-HDL-L	equip Lever Handle w/ Color Coded Screws
6	013788-45	equip Ceramic Cartridge, LTC
7	000999-45	Brass Lock Washer
8	002954-45	Shank Lock Nut
9	017587-45	Swivel Nut Seal
10	013787-45	equip Ceramic Cartridge, RTC



<p>Model Number</p> <p style="text-align: center;"><b>5F-4CLX06</b></p>	<p>Product Specifications:</p> <p style="text-align: center;"><b>4" Deck Mount Mixing Faucet w/ Ceramic Cartridges, equip Lever Handles, equip 6" Swing Nozzle &amp; 1/2" NPT Male Inlets</b></p>				
<p>Product Compliance:</p> <p>ASME A112.18.1 / CSA B125.1 NSF 61 - Section 9 NSF 372 (Low Lead Content) ANSI A117.1 (ADA)</p>	<div style="display: flex; justify-content: space-between; align-items: center;"> <div data-bbox="600 1900 738 1984"> <p>equip Foodservice Accessories</p> </div> <div data-bbox="747 1858 1096 2026">  </div> <div data-bbox="1104 1890 1550 2005"> <p>2 Saddleback Cove, P.O. Box 1088 Travelers Rest, South Carolina 29690 Phone: 800.891.4808 Fax: 800.868.0084 equip.tsbrass.com</p> </div> </div>				
<p>Drawn: DHL</p>	<p>Checked: JRM</p>	<p>Approved: JHB</p>	<p>Date: 11/10/15</p>	<p>Scale: NTS</p>	<p>Sheet: 2 of 2</p>