



Architect/Engineering Specifications:

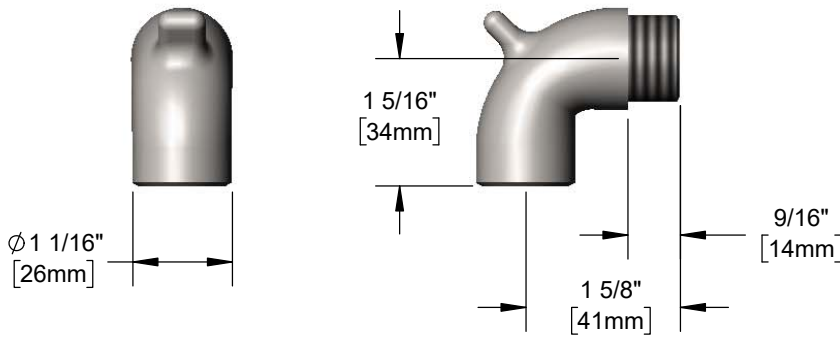
Rough chrome plated spout with plain end outlet and 1/2" NPT male inlet. Certified to NSF 61-Section 9 and NSF 372.

Job Name _____

Model Specified _____ Quantity _____

Variations Specified _____

Date _____



Features & Benefits:

- Spout
- 1/2" NPT male inlet
- Plain end outlet
- Pail Hook
- Material: Rough chrome plated brass

Product Compliance:

- NSF 61 - Section 9
- NSF 372 (Low Lead Content)



Warranty: One Year (Limited)



Performance Data:

- N/A

