



T&S BRASS AND BRONZE WORKS, INC.

2 SADDLEBACK COVE / P.O. BOX 1088 / TRAVELERS REST, SC 29690

PHONE 800-476-4103

FAX 864- 834-3518



REG.#A2601
ISO #9002

Sales No.

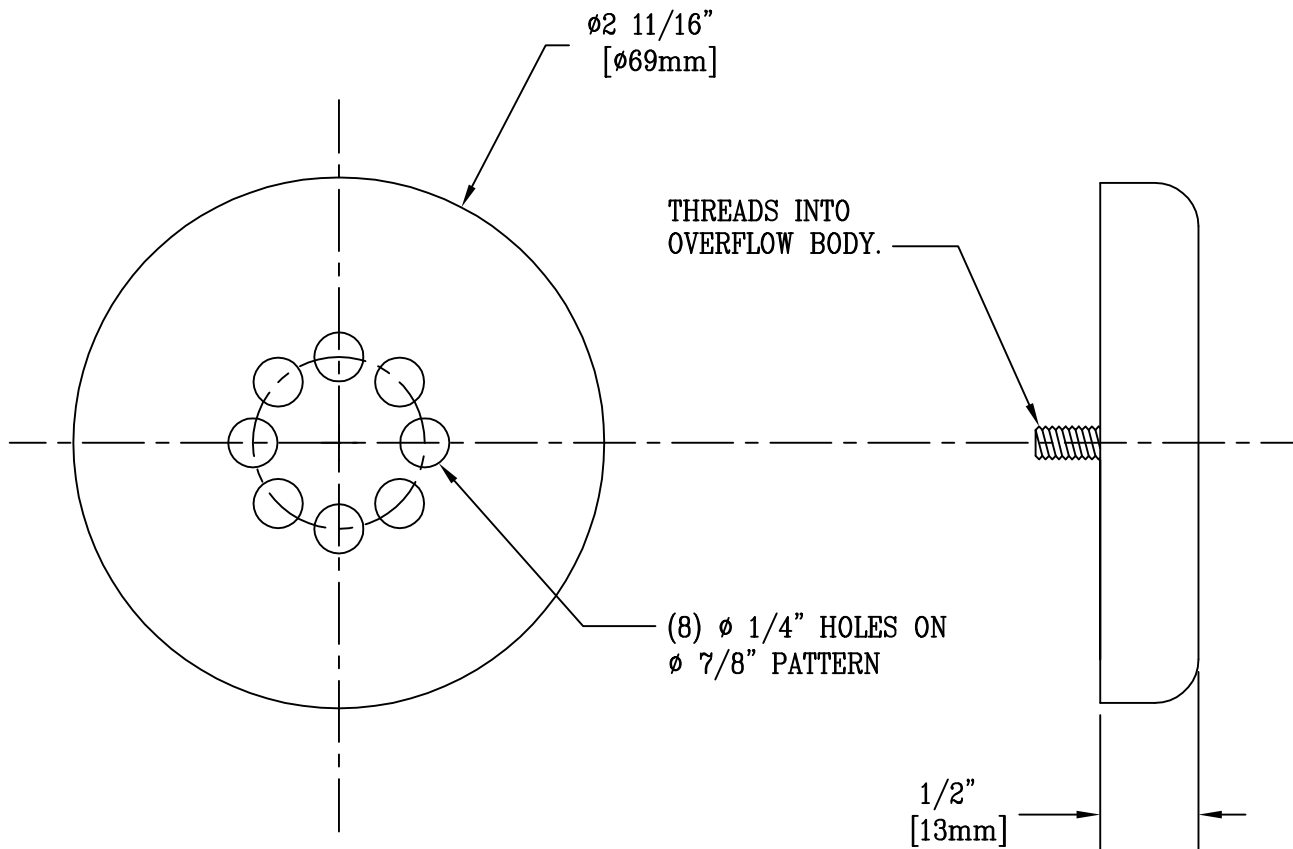
013922-45

Item No.:

Job Name:

Architect/Engineer Approval:

Notes:



STRAINER ALSO AVAILABLE WITH OVERFLOW BODY. SPECIFY 011356-45

Product Description:

ROTARY WASTE VALVE OVERFLOW STRAINER

Drawn:

WJS

Checked

JKD

Scale:

1 : 1

Approved

MVW

Date:

09/06/02