



# T&S BRASS AND BRONZE WORKS, INC.

2 Saddleback Cove / P.O. Box 1088  
Travelers Rest, SC 29690

Model No.

**B-0113-A06-B08**

Item No.

Travelers Rest, SC: 800-476-4103 • Simi Valley, CA: 800-423-0150 • Fax: 864-834-3518 • www.tsbrass.com

This Space for Architect/Engineer Approval

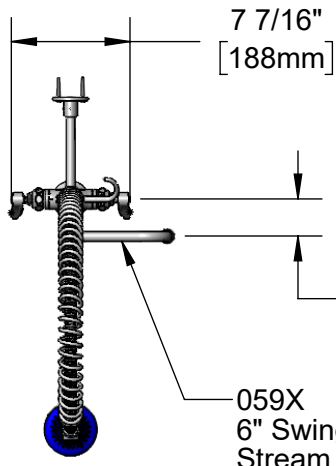
Job Name \_\_\_\_\_ Date \_\_\_\_\_

Model Specified \_\_\_\_\_ Quantity \_\_\_\_\_

Customer/Wholesaler \_\_\_\_\_

Contractor \_\_\_\_\_

Architect/Engineer \_\_\_\_\_



7 7/16"  
[188mm]

2 5/16"  
[59mm]

059X  
6" Swing Nozzle w/  
Stream Regulator  
Outlet

44" Flexible  
Stainless Steel  
Hose w/ Spring  
& Spray Valve

B-0109-01  
6" Wall Bracket

B-0108  
1.07 GPM  
Shower Spray  
Valve

46 1/4"  
[1175mm]

Items Not Shown  
for Clarity

Finger Hook

3/8" NPT x 24" Riser

6"  
[153mm]

9 11/16"  
[245mm]

12 3/4"  
[324mm]

14 7/16"  
[366mm]

18 5/16"  
[466mm]

EasyInstall  
Add-On Faucet  
w/ Quarter-  
Turn Eterna  
Cartridge &  
Lever Handle

Mounting Surface

Quarter-Turn  
Eterna Cartridges w/  
Spring Checks &  
Lever Handles w/  
Color Coded Indexes

1 1/4"  
[32mm]  
Maximum  
Thickness

Ø 2 1/4"  
[57mm]

18" Flexible  
Stainless Steel  
Supply Hoses

Compression Fittings for  
5/8" O.D. Copper Tubing  
(Remove Compression  
Nut for 1/2" NPSM Male)

Rough-In Requirement:  
Ø 1 1/2" [38mm] Mounting Hole

Product Specifications:  
EasyInstall Pre-Rinse Unit:  
Single Deck Mount Base Mixing Faucet, Quarter-Turn Eterna Cartridges w/  
Spring Checks, Add-On Faucet w/ 6" Swivel Nozzle, 24" Riser, 44" Flexible  
Stainless Steel Hose, 1.07 GPM Spray Valve, Flexible Supply Hoses & 6" Wall  
Bracket

Product Compliance:  
ASME A112.18.1 / CSA B125.1  
NSF 61 - Section 9  
NSF 372 (Low Lead Content)  
2019 DOE PRSV - Class II



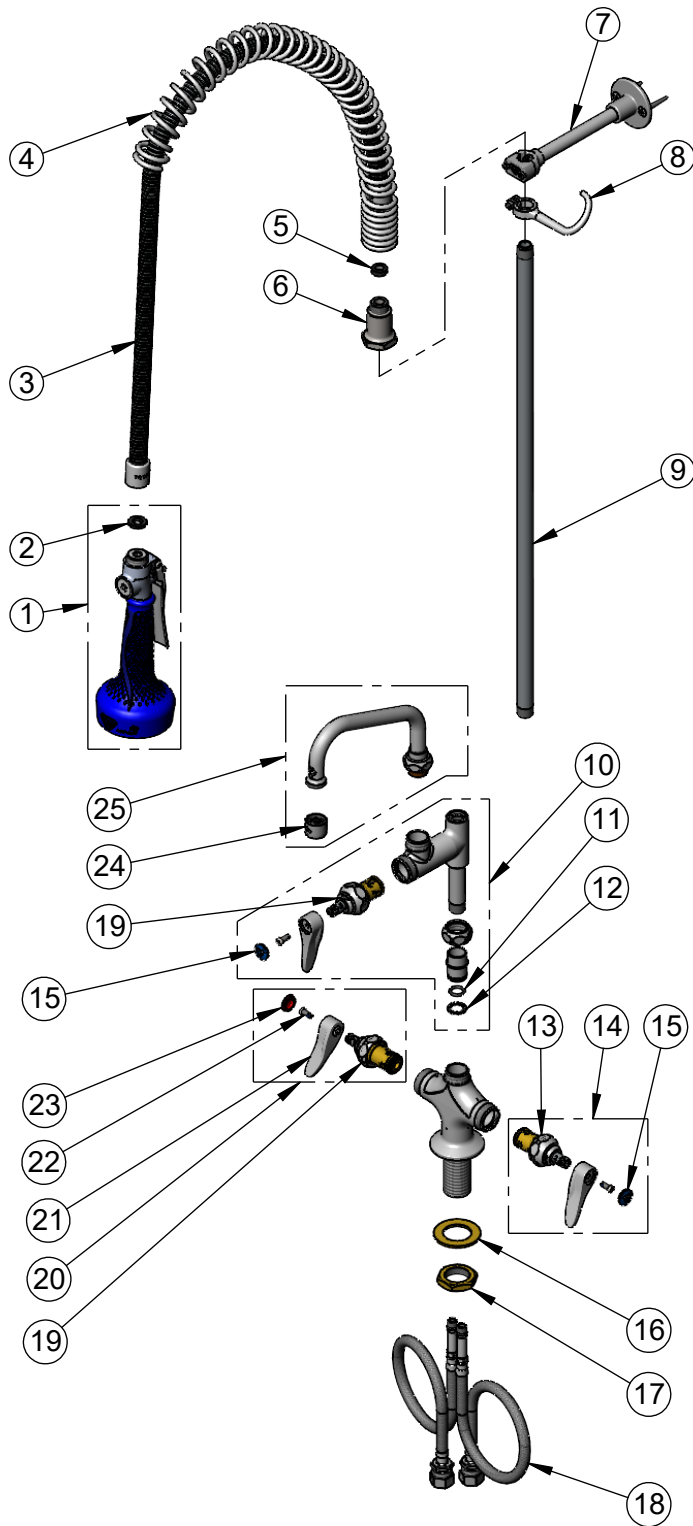
# T&S BRASS AND BRONZE WORKS, INC.

2 Saddleback Cove / P.O. Box 1088  
Travelers Rest, SC 29690

Model No.  
**B-0113-A06-B08**

Item No.

Travelers Rest, SC: 800-476-4103 • Simi Valley, CA: 800-423-0150 • Fax: 864-834-3518 • www.tsbrass.com



ITEM NO.	SALES NO.	DESCRIPTION
1	B-0108	1.07 GPM Spray Valve w/ Ergo-Grip
2	001014-45	Washer, Hose Barrel
3	B-0044-H2A	44" Flexible Stainless Steel Hose, Less Handle
4	000888-45	EasyInstall Overhead Spring
5	010476-45	#27 Washer
6	000821-40	Spring Body
7	B-0109-01	6" Wall Bracket
8	004R	Finger Hook
9	000372-40	3/8" NPT x 24" Riser
10	B-0155-LNEZ	Add-On Faucet w/ Quarter-Turn Eterna Cartridge, RTC & Lever Handle (Less Nozzle)
11	001065-45	O-Ring
12	014200-45	Star Washer, Anti-Rotation
13	012442-40NS	Quarter-Turn Eterna Cartridge w/ Spring Check, LTC
14	002711-40NS	Quarter-Turn Eterna Cartridge w/ Spring Check, Handle, Blue Index & Screw, LTC
15	018506-19NS	Blue Button Index, Press-in
16	002290-45	Lock Washer
17	000965-45	Lock Nut
18	012534-45	18" Flexible Supply Hose (2)
19	012443-40NS	Quarter-Turn Eterna Cartridge w/ Spring Check, RTC
20	002712-40NS	Quarter-Turn Eterna Cartridge w/ Spring Check, Handle, Red Index & Screw, RTC
21	001638-45NS	Lever Handle (New Style)
22	000925-45	Lab Handle Screw
23	001193-19NS	Red Button Index, Press-in
24	B-PT	Full Flow Stream Regulator, 55/64-27
25	059X	Swing Nozzle

**Product Specifications:**  
EasyInstall Pre-Rinse Unit:  
Single Deck Mount Base Mixing Faucet, Quarter-Turn Eterna Cartridges w/ Spring Checks, Add-On Faucet w/ 6" Swivel Nozzle, 24" Riser, 44" Flexible Stainless Steel Hose, 1.07 GPM Spray Valve, Flexible Supply Hoses & 6" Wall Bracket

**Product Compliance:**  
ASME A112.18.1 / CSA B125.1  
NSF 61 - Section 9  
NSF 372 (Low Lead Content)  
2019 DOE PRSV - Class II