



T&S BRASS AND BRONZE WORKS, INC.

2 Saddleback Cove / P.O. Box 1088
Travelers Rest, SC 29690

Model No.

B-2279-CR

Item No.

Travelers Rest, SC: 800-476-4103 • Simi Valley, CA: 800-423-0150 • Fax: 864-834-3518 • www.tsbrass.com



Quarter-Turn
Cerama Cartridges
w/ Check Valves &
Lever Handles w/
Color Coded Indexes



This Space for Architect/Engineer Approval

Job Name _____ Date _____

Model Specified _____ Quantity _____

Customer/Wholesaler _____

Contractor _____

Architect/Engineer _____

Items Not Show
For Clarity
B-0970-FE
Vacuum
Breaker

3/8" NPT x 24"
Riser

3/8" Pipe
Coupling

Finger Hook

3/8" NPT x 24"
Riser

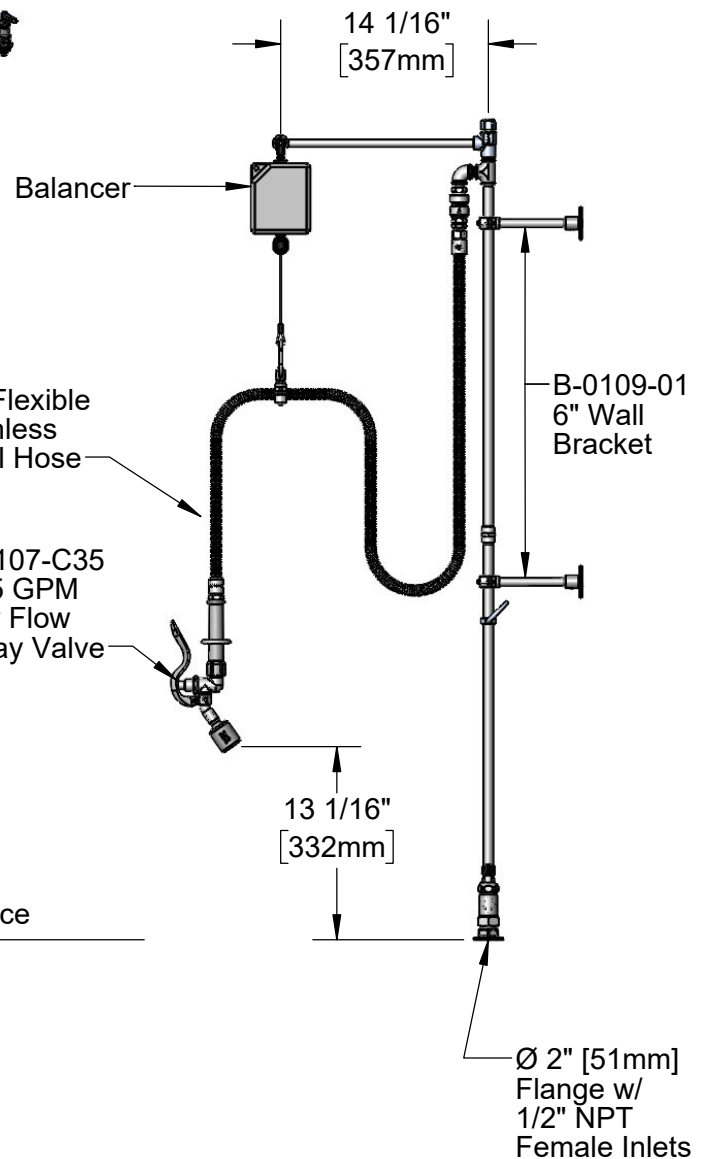
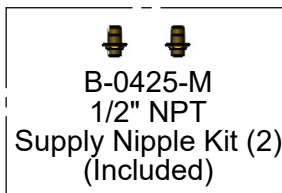
EasyInstall Lock Nut
& Bushing

5 1/8"
[130mm]

Mounting Surface

8"
[203mm]

Adjustable From
7 3/4" to 8 1/4"
[197mm to 210mm]



Product Specifications:

Pre-Rinse Unit: EasyInstall 8" Deck Mount Mixing Faucet, Quarter-Turn Cerama Cartridges w/ Check Valves, Swivel Arm w/ Balancer, Vacuum Breaker, 68" Flexible Stainless Steel Hose, 0.65 GPM Low Flow Angled Spray Valve, 6" Wall Brackets & 1/2" NPT Supply Nipple Inlets

Product Compliance:

ASME A112.18.1 / CSA B125.1
NSF 61 - Section 9
NSF 372 (Low Lead Content)
CSA B64.8 (VB)
2019 DOE PRSV - Class I



T&S BRASS AND BRONZE WORKS, INC.

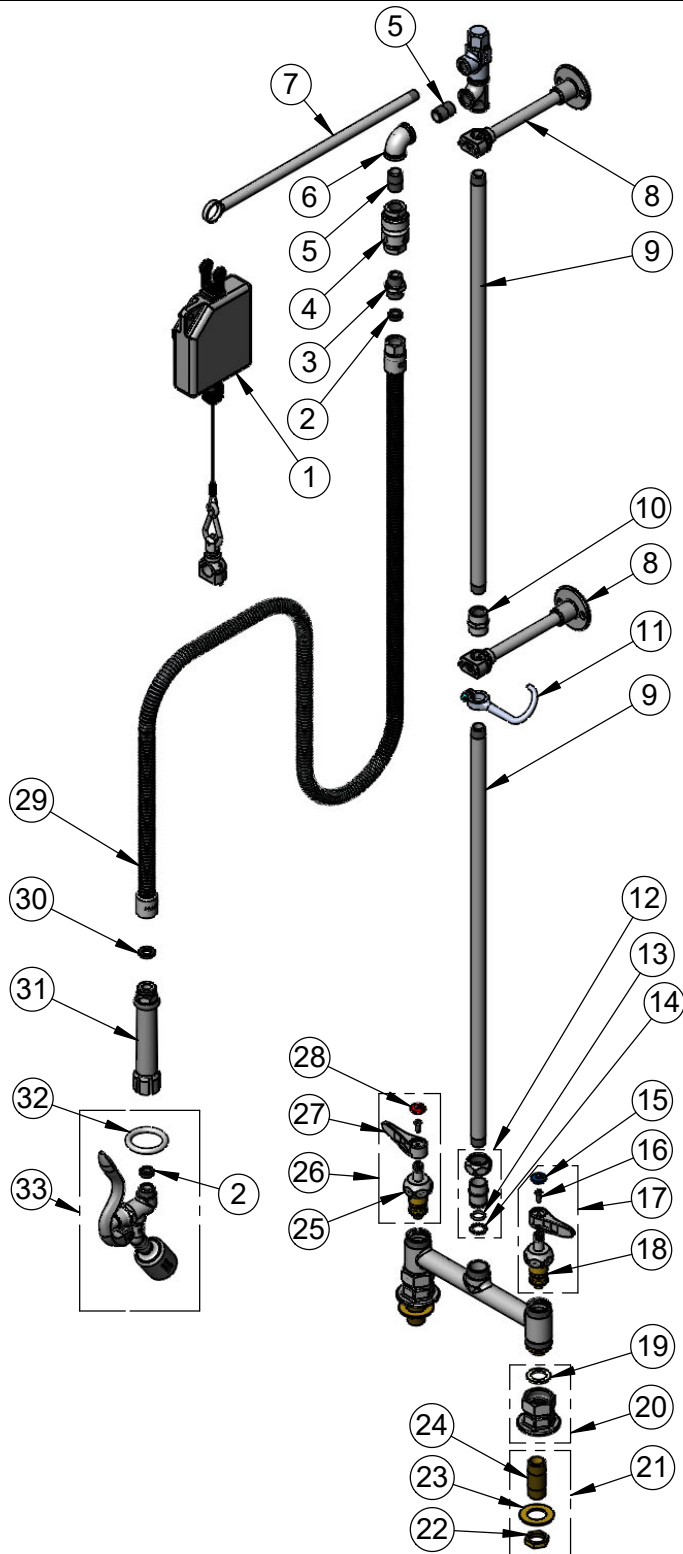
2 Saddleback Cove / P.O. Box 1088
Travelers Rest, SC 29690

Model No.

B-2279-CR

Item No.

Travelers Rest, SC: 800-476-4103 • Simi Valley, CA: 800-423-0150 • Fax: 864-834-3518 • www.tsbrass.com



| ITEM NO. | SALES NO. | DESCRIPTION |
|----------|-------------|---|
| 1 | 005311-40 | Balancer |
| 2 | 010476-45 | #27 Washer |
| 3 | 053A | Adapter, 3/8" NPT Male |
| 4 | B-0970-FE | 3/8" NPT Vacuum Breaker |
| 5 | 002535-25 | 3/8" Close Nipple |
| 6 | 001355-40 | Elbow, 3/8 NPT |
| 7 | 005252-20 | Plated Steel Swivel Arm |
| 8 | B-0109-01 | 6" Wall Bracket |
| 9 | 000372-40 | 3/8" NPT x 24" Riser |
| 10 | 001769-40 | 3/8" NPT Coupling |
| 11 | 004R | Finger Hook |
| 12 | EZ-K | EasyInstall Kit |
| 13 | 001065-45 | O-Ring |
| 14 | 014200-45 | Star Washer, Anti-Rotation |
| 15 | 018506-19NS | Blue Button Index, Press-in |
| 16 | 000925-45 | Lab Handle Screw |
| 17 | 012447-25NS | Quarter-Turn Cerama Cartridge w/ Check Valve, Handle, Blue Index & Screw, LTC |
| 18 | 012395-25NS | Quarter-Turn Cerama Cartridge w/ Check Valve, LTC |
| 19 | 001019-45 | Coupling Nut Washer |
| 20 | 00AA | 1/2" NPT Female Eccentric Flange |
| 21 | B-0425-M | 1/2" NPT Supply Nipple Kit (2) |
| 22 | 002954-45 | Shank Lock Nut |
| 23 | 000999-45 | Brass Lock Washer |
| 24 | 000422-20 | 1/2" NPT Supply Nipple |
| 25 | 012394-25NS | Quarter-Turn Cerama Cartridge w/ Check Valve, RTC |
| 26 | 012446-25NS | Quarter-Turn Cerama Cartridge w/ Check Valve, Handle, Red Index & Screw, RTC |
| 27 | 001638-45NS | Lever Handle (New Style) |
| 28 | 001193-19NS | Red Button Index, Press-in |
| 29 | B-0068-H2A | 68" Flexible Stainless Steel Hose, Less Handle |
| 30 | 001014-45 | Washer, B-0100 Hose Barrel |
| 31 | 002987-40 | Grip Handle |
| 32 | 000907-45 | Spray Valve Hold Down Ring |
| 33 | B-0107-C35 | 0.65 GPM Angled Spray Valve |

Product Specifications:

Pre-Rinse Unit: EasyInstall 8" Deck Mount Mixing Faucet, Quarter-Turn Cerama Cartridges w/ Check Valves, Swivel Arm w/ Balancer, Vacuum Breaker, 68" Flexible Stainless Steel Hose, 0.65 GPM Low Flow Angled Spray Valve, 6" Wall Brackets & 1/2" NPT Supply Nipple Inlets

Product Compliance:

ASME A112.18.1 / CSA B125.1
NSF 61 - Section 9
NSF 372 (Low Lead Content)
CSA B64.8 (VB)
2019 DOE PRSV - Class I