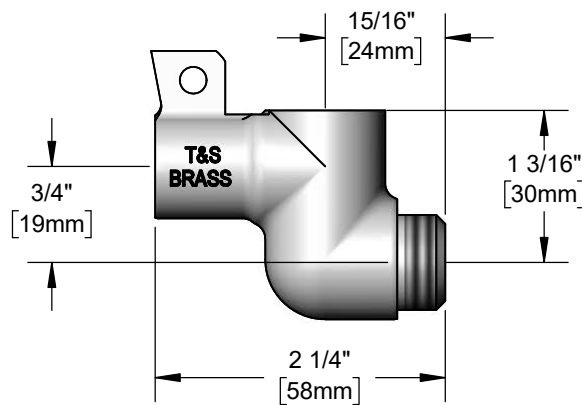
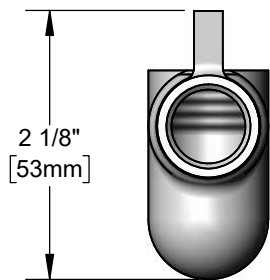
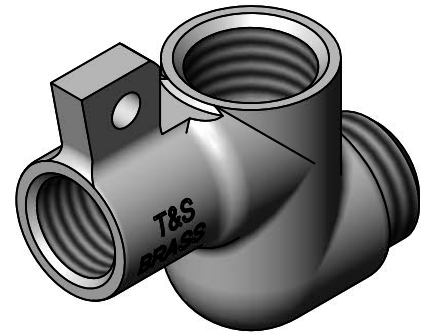




Architect/Engineering Specifications:

Polished chrome plated squeeze valve with 3/4-14 UN male inlet and 5/8-27 female outlet. Certified to NSF 61-Section 9 and NSF 372.

Job Name \_\_\_\_\_  
 Model Specified \_\_\_\_\_ Quantity \_\_\_\_\_  
 Variations Specified \_\_\_\_\_  
 Date \_\_\_\_\_



Features & Benefits:

- Squeeze valve
- 3/4-14 UN male inlet
- 5/8-27 UN female outlet
- Material: Polished chrome plated brass

Product Compliance:

- NSF 61 - Section 9
- NSF 372 (Low Lead Content)



Warranty: One Year (Limited)

Performance Data:

- Pressure: 20 - 125 psi
- Temperature: 40 °F - °F
- Flow Rate: GPM @ 60 psi

