



Architect/Engineering Specifications:

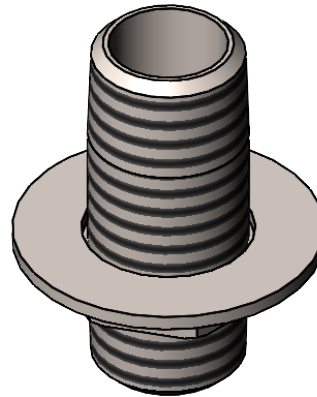
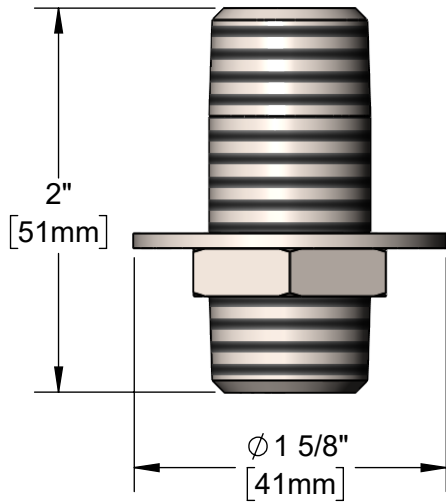
Stainless steel supply nipple unit with lock nut, washer and 1/2" NPT male ends. Certified to ASME A112.18.1/CSA B125.1, NSF 61 - Section 9 and NSF 372.

Job Name _____

Model Specified _____ Quantity _____

Variations Specified _____

Date _____



Features & Benefits:

- 1/2" NPT x 2" stainless steel inlet supply nipple
- 1/2" stainless steel lock washer
- 1/2" stainless steel lock nut
- Material: Stainless steel

Product Compliance:

- ASME A112.18.1 / CSA B125.1
- NSF 61 - Section 9
- NSF 372 (Low Lead Content)



Warranty: One Year (Limited)

Performance Data:

- N/A

