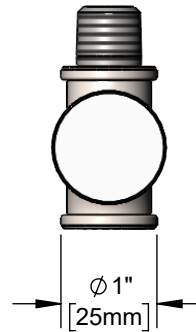
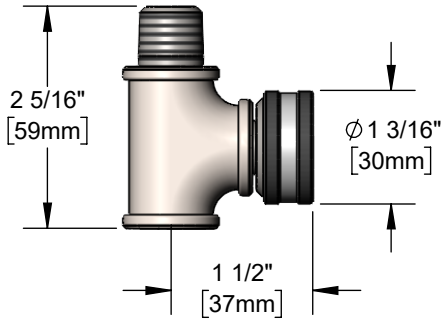
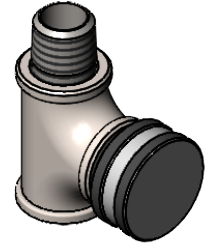




**Architect/Engineering Specifications:**

Stainless steel rigid tee assembly with 3/8" NPT female outlet, 3/8" NPT male inlet, 3/8" x 3/4" male garden hose adapter and 3/4" garden hose cap. Certified to ASME A112.18.1/CSA B125.1, NSF 61-Section 9 and NSF 372.

Job Name \_\_\_\_\_  
 Model Specified \_\_\_\_\_ Quantity \_\_\_\_\_  
 Variations Specified \_\_\_\_\_  
 Date \_\_\_\_\_



**Features & Benefits:**

- Stainless steel rigid tee assembly
- 3/8" NPT female outlet
- 3/8" NPT male inlet
- 3/8" NPSM x 3/4" male garden hose thread adapter
- 3/4" garden hose cap
- Material: Stainless steel

**Product Compliance:**

- ASME A112.18.1 / CSA B125.1
- NSF 61 - Section 9
- NSF 372 (Low Lead Content)



**Warranty:** One Year (Limited)

**Performance Data:**

- N/A

