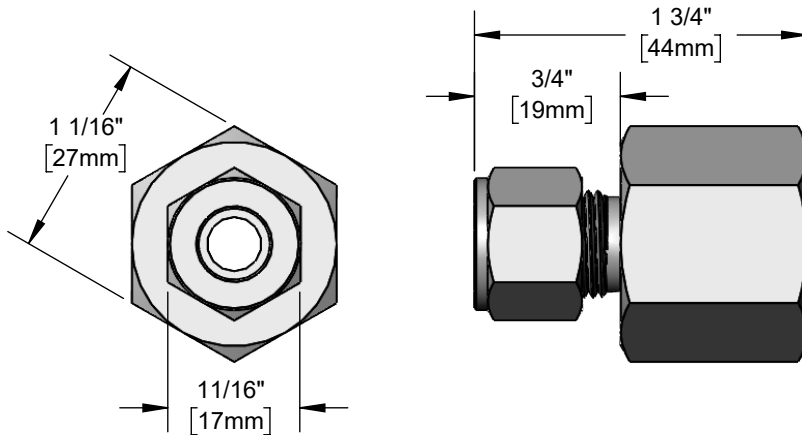
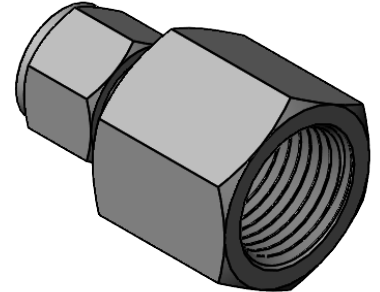




Architect/Engineering Specifications:

Stainless steel 1/2" NPT female by compression fitting for 3/8" diameter tube. Certified to NSF 61 section 9 and NSF 372.

Job Name _____
 Model Specified _____ Quantity _____
 Variations Specified _____
 Date _____



Features & Benefits:

- Stainless steel adapter
- 1/2" NPT female
- Compression fitting for 3/8" diameter tube
- Material: Stainless steel

Product Compliance:

- NSF 61 - Section 9
- NSF 372 (Low Lead Content)



Warranty: One Year (Limited)

Performance Data:

- Pressure: 20 - 125 psi [1.38 - 8.62 bar]
- Temperature: 40°F - 140°F [4.44°C - 60°C]

