



**Faucets and Fittings**  
**S-0230-K**

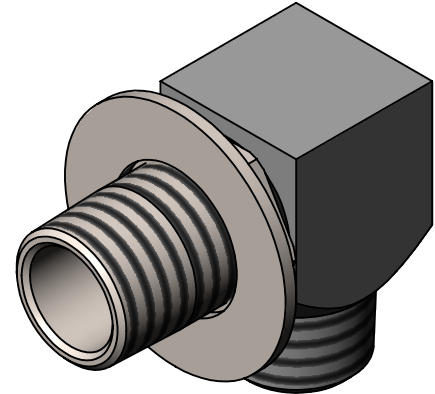
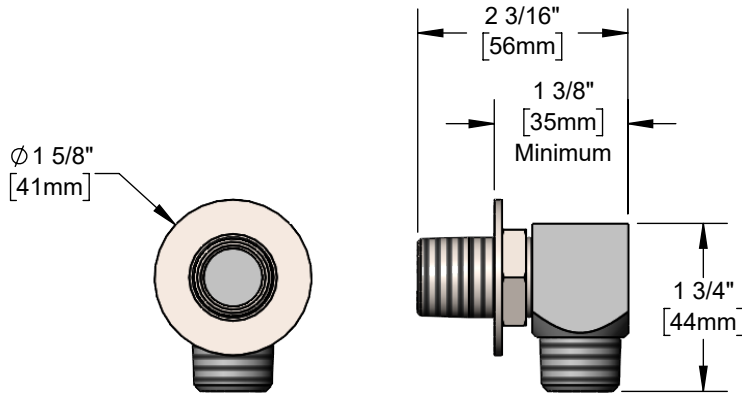
TAG:

*Parts Kit*

**Architect/Engineering Specifications:**

Stainless steel elbow kit. Two short stainless steel elbows, stainless steel nipples, stainless steel lock nuts and stainless steel washers that provide 1/2" NPT male inlet and outlet when assembled. Certified to ASME A112.18.1/CSA B125.1, NSF 61-Section 9 and NSF 372.

Job Name \_\_\_\_\_  
 Model Specified \_\_\_\_\_ Quantity \_\_\_\_\_  
 Variations Specified \_\_\_\_\_  
 Date \_\_\_\_\_



**Features & Benefits:**

- Stainless steel elbow kit
- Two short stainless steel elbows with 1/2" NPT male inlet and 1/2" NPT female outlet
- Two 1/2" NPT stainless steel supply nipples with lock nuts and washers
- Material: Stainless steel

**Product Compliance:**

- ASME A112.18.1 / CSA B125.1
- NSF 61 - Section 9
- NSF 372 (Low Lead Content)



**Warranty:** One Year (Limited)

**Performance Data:**

- N/A



**T&S BRASS AND BRONZE WORKS, INC.**



• 2 Saddleback Cove • Travelers Rest, SC 29690  
 Ph 800-476-4103 • Fax 864-834-3518  
 • Simi Valley, CA • Ph 800-423-0150 • www.tsbrass.com

Date: 04/04/24