



T&S BRASS AND BRONZE WORKS, INC.

2 Saddleback Cove / P.O. Box 1088
Travelers Rest, SC 29690

Model No.

SMPK-8WLV-08

Item No.

Travelers Rest, SC: 800-476-4103 • Simi Valley, CA: 800-423-0150 • Fax: 864-834-3518 • www.tsbrass.com

This Space for Architect/Engineer Approval

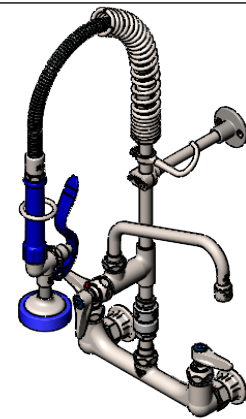
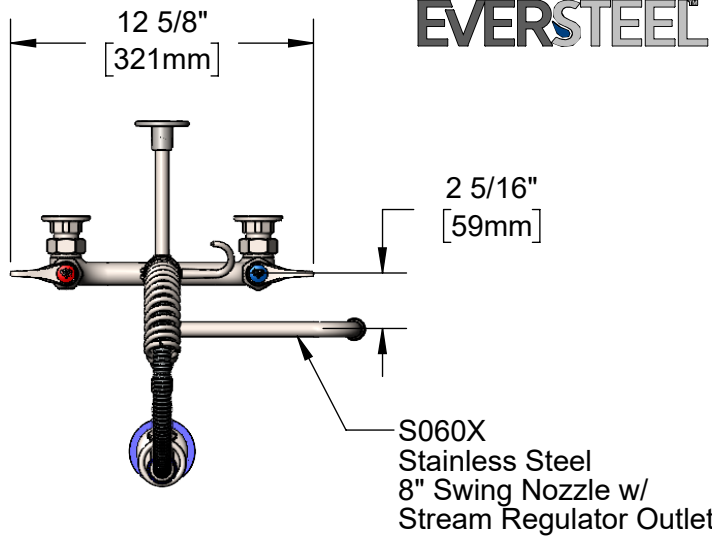
Job Name _____ Date _____

Model Specified _____ Quantity _____

Customer/Wholesaler _____

Contractor _____

Architect/Engineer _____



24" Flexible Stainless
Steel Hose w/ Spring
& Spray Valve

Items Not Shown
For Clarity

Stainless Steel
3/8" NPT x 8" Riser
S-0107
Stainless Steel
1.15 GPM
Spray Valve

Stainless Steel
Finger Hook

S-0109-01
Stainless Steel
6" Wall Bracket

S-0970-FEZ
EverSteel
Vacuum
Breaker

3 11/16"
[93mm]

8"
[204mm]

13 1/8"
[334mm]

10"
[254mm]

7 5/16"
[185mm]

24 11/16"
[626mm]

Stainless Steel
Add-On Faucet w/
Quarter-Turn Eterna
Cartridge & Lever
Handle

8"
[203mm]
Adjustable From
7 3/4" to 8 1/4"
[197mm to 210mm]

Stainless Steel
Quarter-Turn Eterna
Cartridges w/ Spring
Checks & Stainless Steel
Lever Handles
w/ Color Coded Indexes

7 3/8"
[188mm]

2 3/8"
[61mm]

Mounting
Surface

Ø 2"
[51mm]
Stainless Steel
Flanges w/
1/2" NPT
Female Inlets

Product Specifications:

Pre-Rinse Unit: EasyInstall 8" Stainless Steel Wall Mount Mixing Faucet, SS Quarter-Turn Eterna Cartridges w/ Spring Checks, SS Lever Handles, SS Add-On Faucet w/ SS 8" Swing Nozzle, Vacuum Breaker, SS Compact Spring, 24" Flexible Stainless Steel Hose, SS 1.15 GPM Spray Valve, SS 6" Wall Bracket & SS 1/2" NPT Female Inlets

Product Compliance:

ASME A112.18.1 / CSA B125.1
NSF 61 - Section 9
NSF 372 (Low Lead Content)
2019 DOE PRSV - Class II
CSA B64.8 (VB)
For Commercial Use Only



T&S BRASS AND BRONZE WORKS, INC.

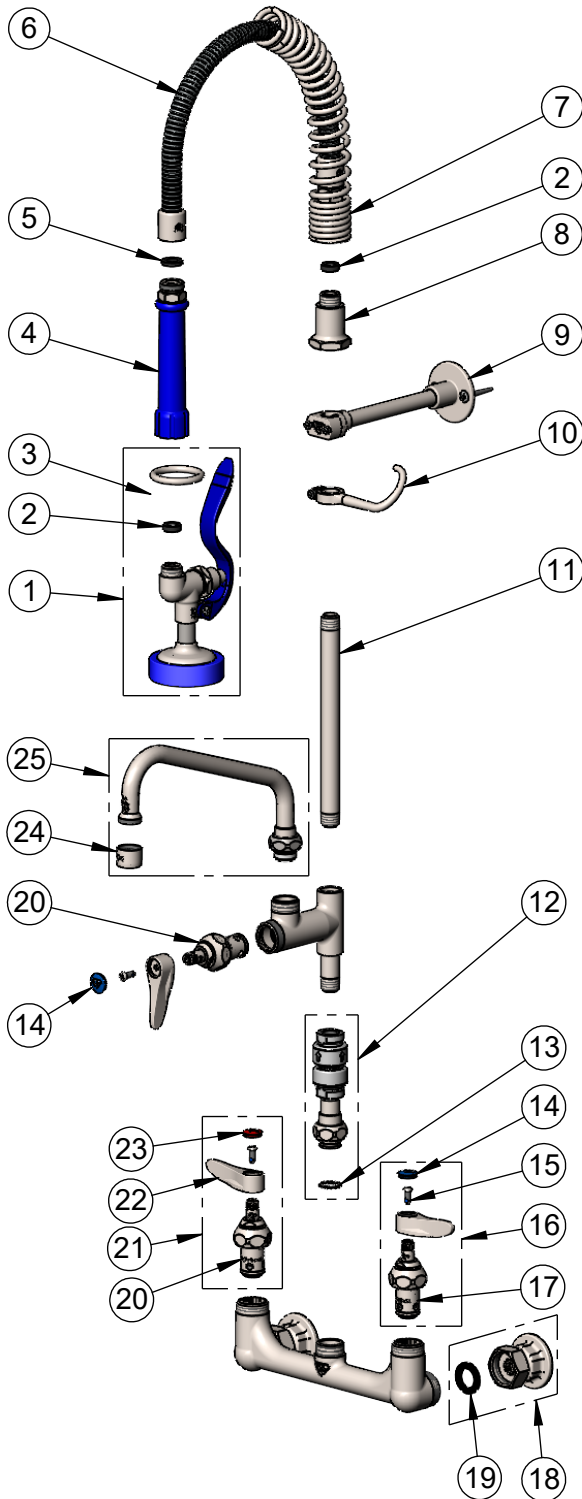
2 Saddleback Cove / P.O. Box 1088
Travelers Rest, SC 29690

Model No.

SMPK-8WLV-08

Item No.

Travelers Rest, SC: 800-476-4103 • Simi Valley, CA: 800-423-0150 • Fax: 864-834-3518 • www.tsbrass.com



| ITEM NO. | SALES NO. | DESCRIPTION |
|----------|--------------|--|
| 1 | S-0107 | Stainless Steel 1.15 GPM Spray Valve (Blue) |
| 2 | 010476-45 | #27 Washer |
| 3 | S000907-30 | SS Spray Valve Hold Down Ring |
| 4 | S011482-30 | Stainless Steel Grip Handle (Blue) |
| 5 | 001014-45 | Washer, Hose Barrel |
| 6 | S-0024-H2A | 24" Flexible Stainless Steel Hose, Less Handle |
| 7 | S016795-30 | Stainless Steel Compact Spring |
| 8 | S000821-30 | Stainless Steel Spring Body |
| 9 | S-0109-01 | Stainless Steel 6" Wall Bracket |
| 10 | S004R | Stainless Steel Finger Hook |
| 11 | S078X | 3/8" NPT x 8" Riser |
| 12 | S-0970-FEZ | EasyInstall Vacuum Breaker |
| 13 | 014200-45 | Star Washer, Anti-Rotation |
| 14 | 018506-19NS | Blue Button Index, Press-in |
| 15 | 000925-45 | Lab Handle Screw |
| 16 | S002711-30NS | Stainless Steel Quarter-Turn Eterna Cartridge w/ Spring Check, Handle, Blue Index & Screw, LTC |
| 17 | S012442-30NS | Stainless Steel Quarter-Turn Eterna Cartridge w/ Spring Check, LTC |
| 18 | S00AA | SS 1/2" NPT Female Eccentric Flange |
| 19 | 010569-45 | Washer, Inlet Flange Coupling (UK) |
| 20 | S012443-30NS | Stainless Steel Quarter-Turn Eterna Cartridge w/ Spring Check, RTC |
| 21 | S002712-30NS | Stainless Steel Quarter-Turn Eterna Cartridge w/ Spring Check, Handle, Red Index & Screw, RTC |
| 22 | S001638-30NS | Stainless Steel Lever Handle (New Style) |
| 23 | 001193-19NS | Red Button Index, Press-in |
| 24 | S-PT | SS Full Flow Stream Regulator, 55/64-27 |
| 25 | S060X | Stainless Steel 8" Swing Nozzle |

Product Specifications:

Pre-Rinse Unit: EasyInstall 8" Stainless Steel Wall Mount Mixing Faucet, SS Quarter-Turn Eterna Cartridges w/ Spring Checks, SS Lever Handles, SS Add-On Faucet w/ SS 8" Swing Nozzle, Vacuum Breaker, SS Compact Spring, 24" Flexible Stainless Steel Hose, SS 1.15 GPM Spray Valve, SS 6" Wall Bracket & SS 1/2" NPT Female Inlets

Product Compliance:

ASME A112.18.1 / CSA B125.1
NSF 61 - Section 9
NSF 372 (Low Lead Content)
2019 DOE PRSV - Class II
CSA B64.8 (VB)
For Commercial Use Only