



T&S BRASS AND BRONZE WORKS, INC.

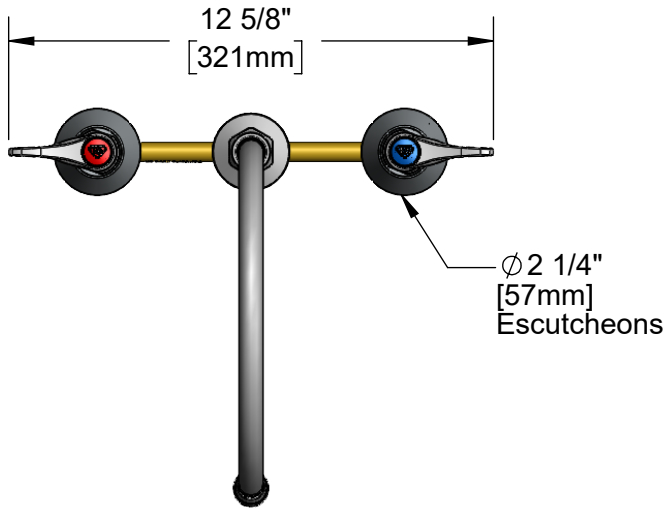
2 Saddleback Cove / P.O. Box 1088
Travelers Rest, SC 29690

Model No.

B-2852

Item No.

Travelers Rest, SC: 800-476-4103 • Simi Valley, CA: 800-423-0150 • Fax: 864-834-3518 • www.tsbrass.com



This Space for Architect/Engineer Approval

Job Name _____ Date _____

Model Specified _____ Quantity _____

Customer/Wholesaler _____

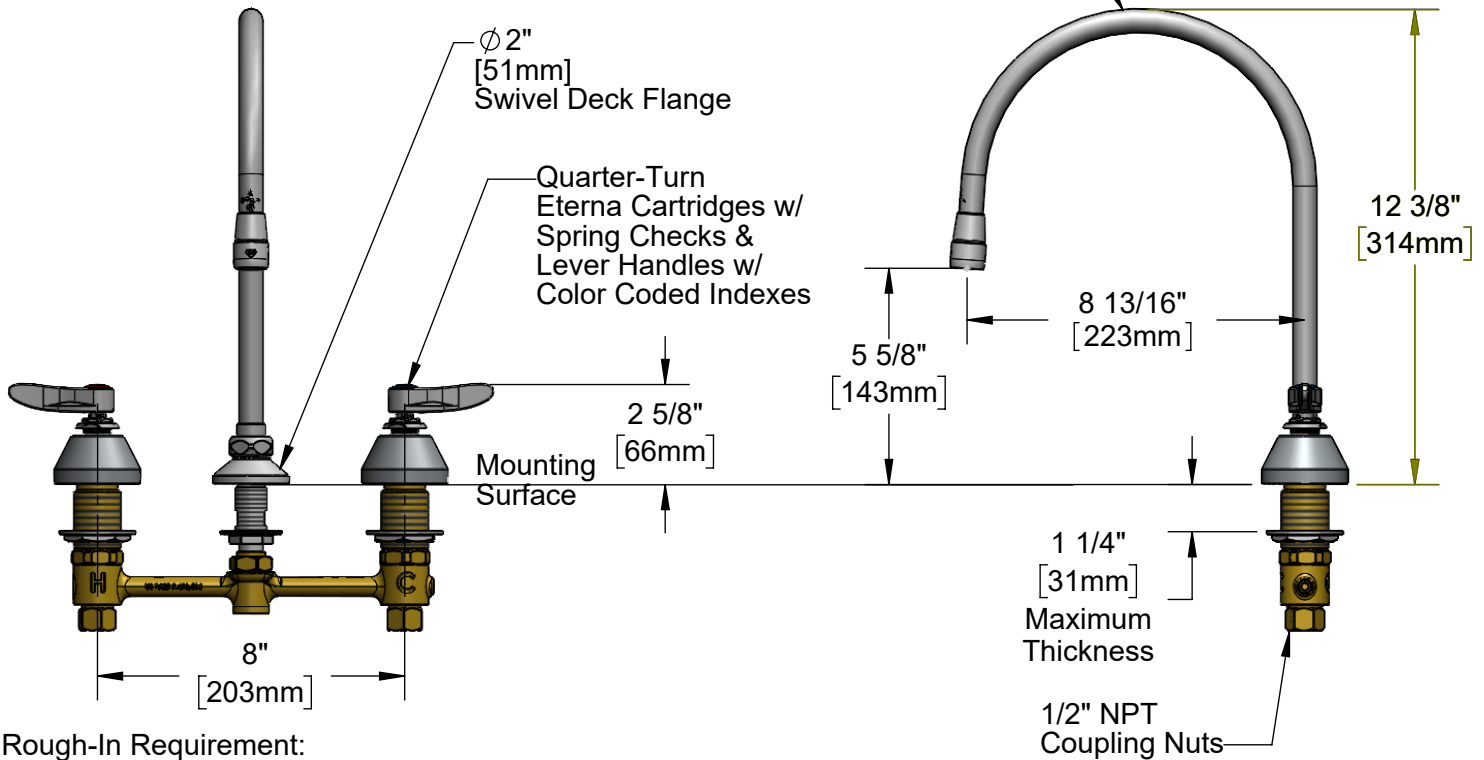
Contractor _____

Architect/Engineer _____



ADA Compliant

135X-A22
Swivel/Rigid Gooseneck
2.2 GPM Male Aerator
(Optional Swivel/Rigid
Washer Included)



Rough-In Requirement:
Center Shank: 1" [25mm] Mounting Hole
Hot/Cold Side: 1 1/2" [38mm] Mounting Holes

Product Specifications:

8" Concealed Widespread EasyInstall Faucet, Lever Handles, Quarter-Turn Eterna Cartridges w/ Spring Checks, 8 13/16" Swivel/Rigid Gooseneck w/ 2.2 GPM Male Aerator & 1/2" NPT Male Inlets w/ Coupling Nuts

Product Compliance:

ASME A112.18.1 / CSA B125.1
NSF 61 - Section 9
NSF 372 (Low Lead Content)
ANSI A117.1 (ADA)



T&S BRASS AND BRONZE WORKS, INC.

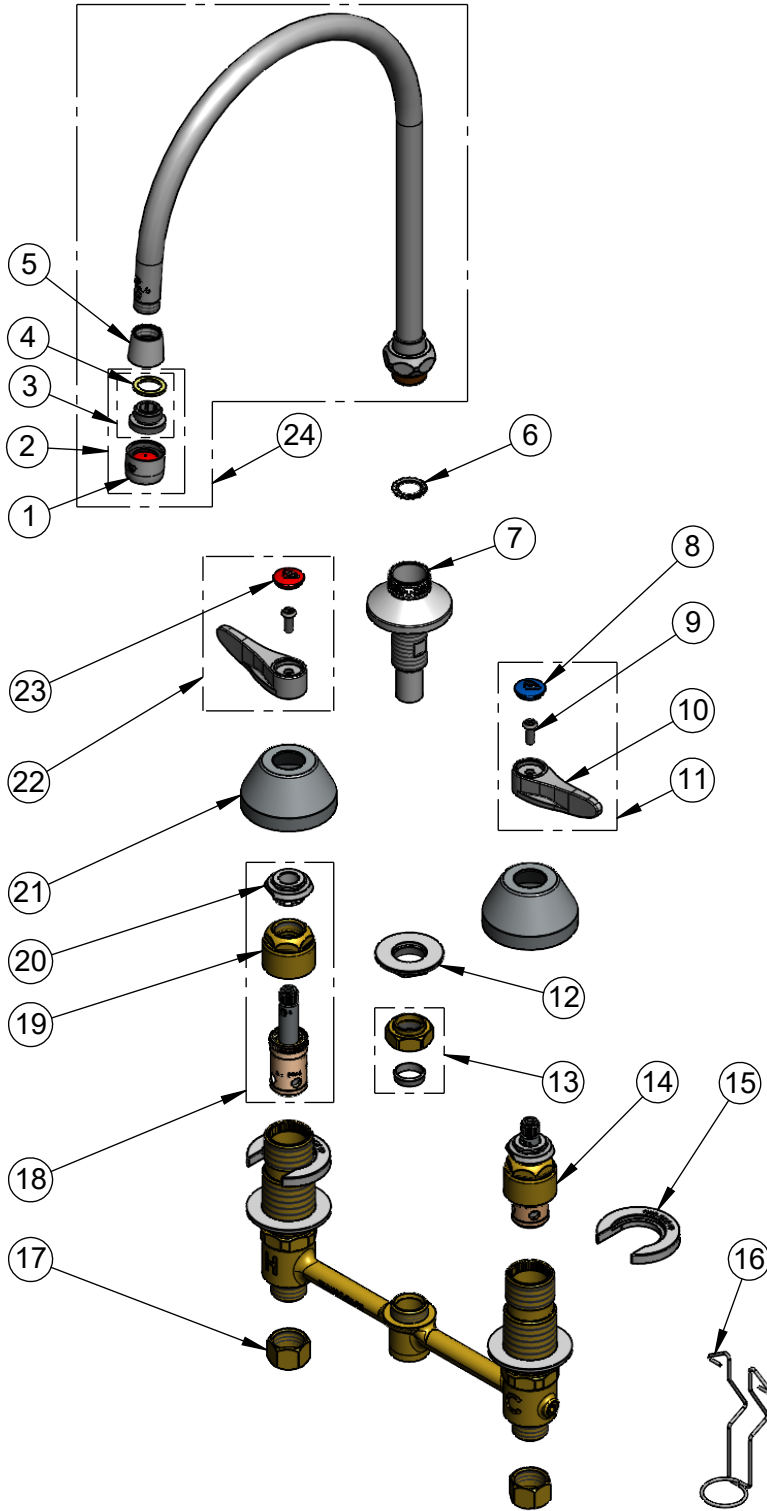
2 Saddleback Cove / P.O. Box 1088
Travelers Rest, SC 29690

Model No.

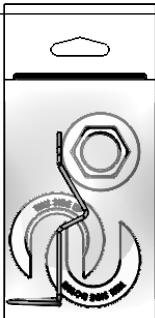
B-2852

Item No.

Travelers Rest, SC: 800-476-4103 • Simi Valley, CA: 800-423-0150 • Fax: 864-834-3518 • www.tsbrass.com



ITEM NO.	SALES NO.	DESCRIPTION
1	B-0199-01	2.2 GPM Aerator, 55/64-27 UN Female
2	B-0199-02	2.2 GPM Male Aerator, 3/8" NPSM
3	044A	3/8" to Aerator Adapter
4	001043-45	Washer
5	020205-40	Adapter, 5/8-27 UN x 3/8-18 NPSM
6	014200-45	Star Washer, Anti-Rotation
7	016754-40NS	EasyInstall CWS Swivel Center Shank
8	018506-19NS	Blue Button Index, Press-in
9	000925-45	Lab Handle Screw
10	001638-45NS	Lever Handle (New Style)
11	001636-45NS	Lever Handle, Red Index & Screw
12	016742-45	Center Flange Nut
13	016745-45	Compression Nut & Fitting
14	016752-40NS	Removable Insert, LH Thread
15	016749-45	Sidebody C-Washer
16	016777-45	CWS Hanger
17	000958-20	Coupling Nut
18	016753-40NS	EasyInstall CWS RTC Quarter-Turn Eterna Cartridge w/ Spring Check
19	016743-20	Eterna Bonnet - EXTENDED
20	009002-40NS	CWS Packing Nut Assembly
21	001257-40NS	Bell Escutcheon
22	001637-45NS	Lever Handle, Blue Index & Screw
23	001193-19NS	Red Button Index, Press-in
24	135X-A22	Swivel Gooseneck w/ 2.2 GPM Aerator



017245-40
Installation Repair Kit
Includes #12, (2)#15, & #16

Product Specifications:
8" Concealed Widespread EasyInstall Faucet, Lever Handles, Quarter-Turn Eterna Cartridges w/ Spring Checks, 8 13/16" Swivel/Rigid Gooseneck w/ 2.2 GPM Male Aerator & 1/2" NPT Male Inlets w/ Coupling Nuts

Product Compliance:
ASME A112.18.1 / CSA B125.1
NSF 61 - Section 9
NSF 372 (Low Lead Content)
ANSI A117.1 (ADA)