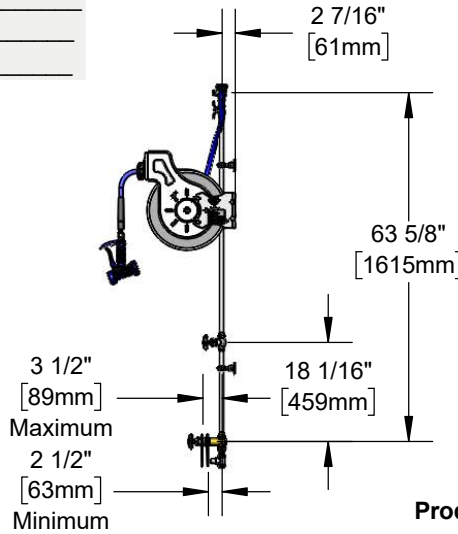
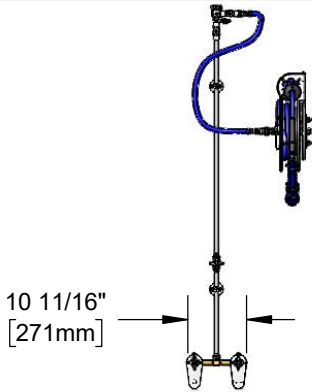




Architect/Engineering Specifications:

8" wall mount concealed mixing faucet with chrome plated escutcheon with rough brass body, compression cartridges with spring checks, 4-arm handles, loose key stops w/ 1/2" NPT female union inlets, 1/2" NPT in-line check valves with 1/2" NPT female inlets, 16" riser, control valve, 40" riser, wall brackets, continuous pressure vacuum breaker, 36" flexible water hose connector with stainless steel quick disconnect, open coated hose reel with 3/8" x 35' heavy-duty non-marking hose, ratcheting system, high flow stainless steel front trigger water gun with swivel, multi-fit bracket and adjustable hose bumper. Certified to ASSE 1056.

Job Name _____
 Model Specified _____ Quantity _____
 Variations Specified _____
 Date _____



Features & Benefits:

- All-in-one system with exposed piping and accessories
- 8" wall mount concealed mixing faucet w/ chrome plated escutcheon and rough brass body
- Quarter-turn Eterna compression cartridges w/ spring checks to prevent cross flow of water
- 4-arm handles w/ color coded indexes
- Mixing faucet, 1/2" NPT female union inlets
- 1/2" NPT in-line check valves w/ 1/2" NPT female inlets
- 16" and 40" risers w/ control valve between risers
- (2) 2 3/8" wall brackets
- Continuous pressure vacuum breaker
- 36" flexible water hose connector with stainless steel quick disconnect
- Open epoxy coated hose reel
- High flow stainless steel water gun w/ blue rubber cover, front style trigger, \varnothing 5/16" flow orifice & swivel
- 3/8" x 35' heavy-duty non-marking hose rated to 300 PSI
- Ratcheting system holds the length of hose until a slight tug to retract automatically
- Adjustable hose bumper
- Multi-fit bracket for wall, ceiling or under counter mounting
- Material: Brass faucet body, chrome plated brass risers and spray valve body, chrome plated metal handles, control valve and vacuum breaker and metal open reel.

Product Compliance:

- NSF 61 Exempt (Non-Potable)
- 2019 DOE PRSV Non-Compliant
- ASSE 1056 (VB)



Warranty: One Year (Limited)

- Hose Reel: Two Year (Limited)
- Hose: One Year (Limited)

Performance Data:

- Pressure: 20 - 125 psi [1.38 - 8.62 bar]
- Temperature: 40 °F - 140 °F [4.44 °C - 60 °C]
- Flow Rate: 2.93 GPM [11.09 L/min] @ 60 psi [4.14 bar]

Optional Cartridges With Checks

- Quarter-Turn Cerama w/ Check Valve
- Quarter-Turn Eterna w/ Spring Check (Standard)

Optional Hose Reel Spray Valves

- B-0107 Spray Valve
- B-0108 Ergonomic Medium Flow Spray Valve
- B-0108-H Ergonomic High Flow Spray Valve
- EB-0107 High Flow Spray Valve
- EB-2322 Extended Spray Wand
- MV-2516-24 Stainless Steel Rear Trigger Water Gun
- MV-2522-24 Stainless Steel Front Trigger Water Gun (Standard)
- MV-3516-24 Aluminum Rear Trigger Water Gun

