



# Sill and Heavy Duty Sink Faucets

## B-0703-124A

TAG:

## Single Sink Faucet

### Architect/Engineering Specifications:

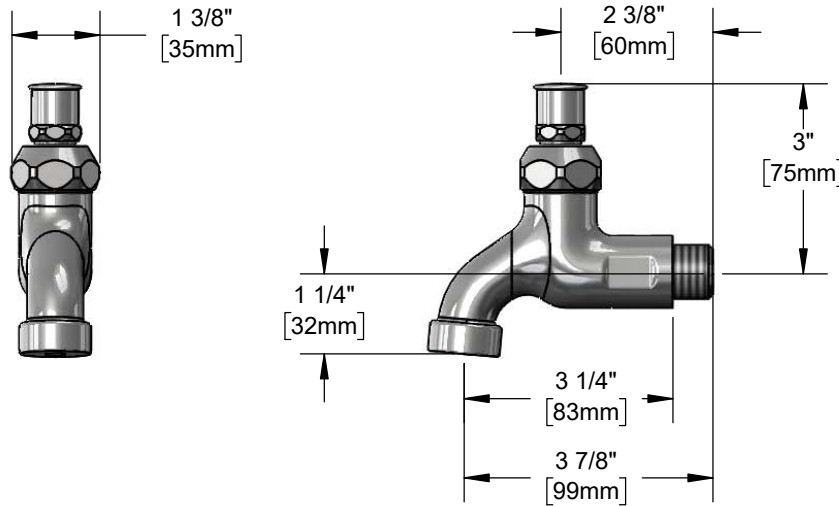
Single hole, single temperature wall mount faucet with polished chrome plated brass body, plain end outlet, compression cartridge with spring check, loose key stop with tee handle and 1/2" NPT male inlet. Certified to ASME A112.18.1/CSA B125.1, NSF 61-Section 9 and NSF 372. Meets ADA ANSI/ICC A117.1 requirements.

Job Name \_\_\_\_\_

Model Specified \_\_\_\_\_ Quantity \_\_\_\_\_

Variations Specified \_\_\_\_\_

Date \_\_\_\_\_



### Features & Benefits:

- Single hole, single temperature wall mount faucet
- Plain end outlet
- Quarter-Turn Eterna compression cartridge w/ spring check
- Loose key style shut-off, controlled by the tee handle (included) or screwdriver
- 1/2" NPT male inlet
- Material: Polished chrome plated brass body, chrome plated metal handle

### Product Compliance:

- ASME A112.18.1 / CSA B125.1
- NSF 61 - Section 9
- NSF 372 (Low Lead Content)
- ANSI A117.1 (ADA)

**Warranty:** One Year (Limited)

### Performance Data:

- Pressure: 20 - 125 psi
- Temperature: 40 °F - 140 °F
- Flow Rate: 6.25 GPM @ 60 psi



ADA Compliant

### Optional Handles

- 4" Wrist Action
- Lever
- 4-Arm

### Optional Cartridges With Checks

- Quarter-Turn Cerama w/ Check Valve
- Quarter-Turn Eterna w/ Spring Check (Standard)



T&S BRASS AND BRONZE WORKS, INC.



• 2 Saddleback Cove • Travelers Rest, SC 29690  
 Ph 800-476-4103 • Fax 864-834-3518  
 • Simi Valley, CA • Ph 800-423-0150 • www.tsbrass.com

Date: 10/01/19