



**T&S BRASS AND BRONZE WORKS, INC.**  
 2 Saddleback Cove / P.O. Box 1088  
 Travelers Rest, SC 29690

Model No.  
**HG-4D-48GS-K-PS**

Item No.

Travelers Rest, SC: 800-476-4103 • Simi Valley, CA: 800-423-0150 • Fax: 864-834-3518 • www.tsbrass.com

This Space for Architect/Engineer Approval

Job Name \_\_\_\_\_ Date \_\_\_\_\_

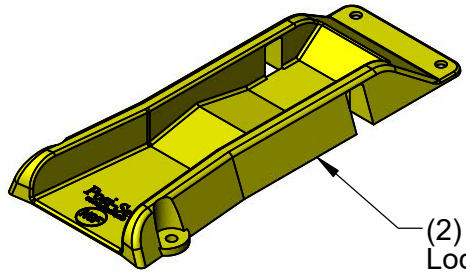
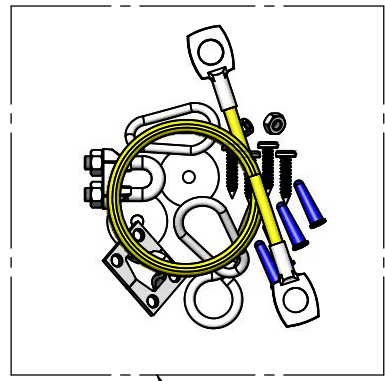
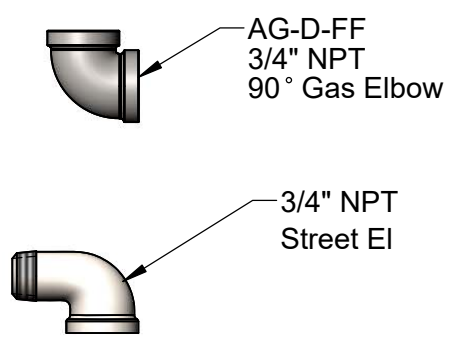
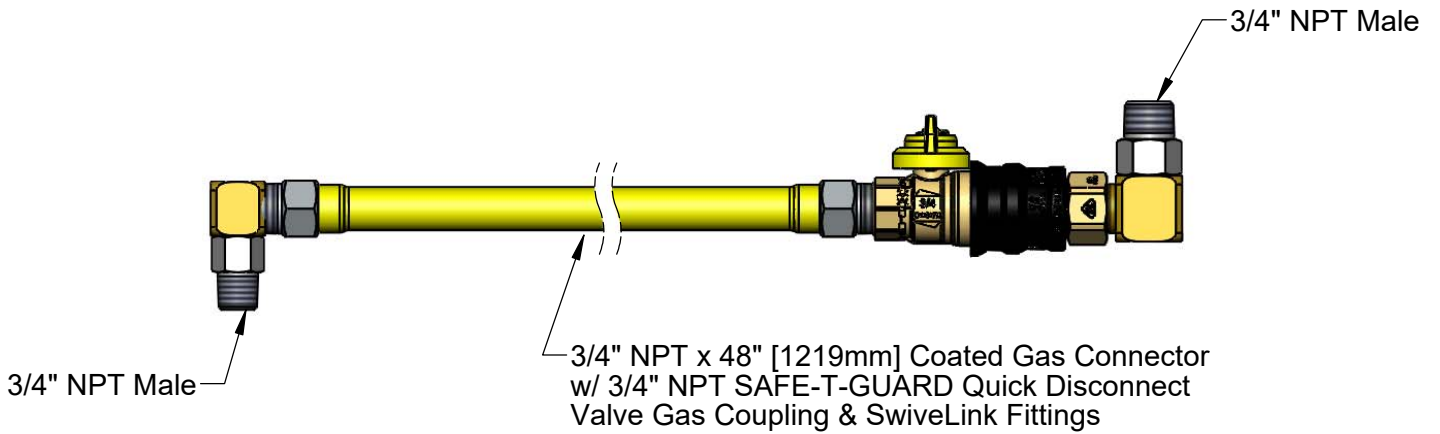
Model Specified \_\_\_\_\_ Quantity \_\_\_\_\_

Customer/Wholesaler \_\_\_\_\_

Contractor \_\_\_\_\_

Architect/Engineer \_\_\_\_\_

# SAFE-T-GUARD



**Product Specifications:**

Safe-T-Link Gas Appliance Connector: 3/4" x 48" Coated Gas Hose w/ 3/4" NPT Male Ends, SwiveLinks, Quick Disconnect Valve Gas Coupling, 3/4" NPT Gas Elbows, Restraining Cable Kit & Posi-Set Locating Devices

**Product Compliance:**

ANSI Z21.69 / CSA 6.16  
 NSF 2  
 NFPA 54