



# T&S BRASS AND BRONZE WORKS, INC.

2 Saddleback Cove / P.O. Box 1088  
Travelers Rest, SC 29690

Model No.

**B-1210-12-WFK**

Item No.

Travelers Rest, SC: 800-476-4103 • Simi Valley, CA: 800-423-0150 • Fax: 864-834-3518 • www.tsbrass.com



**ADA Compliant**

This Space for Architect/Engineer Approval

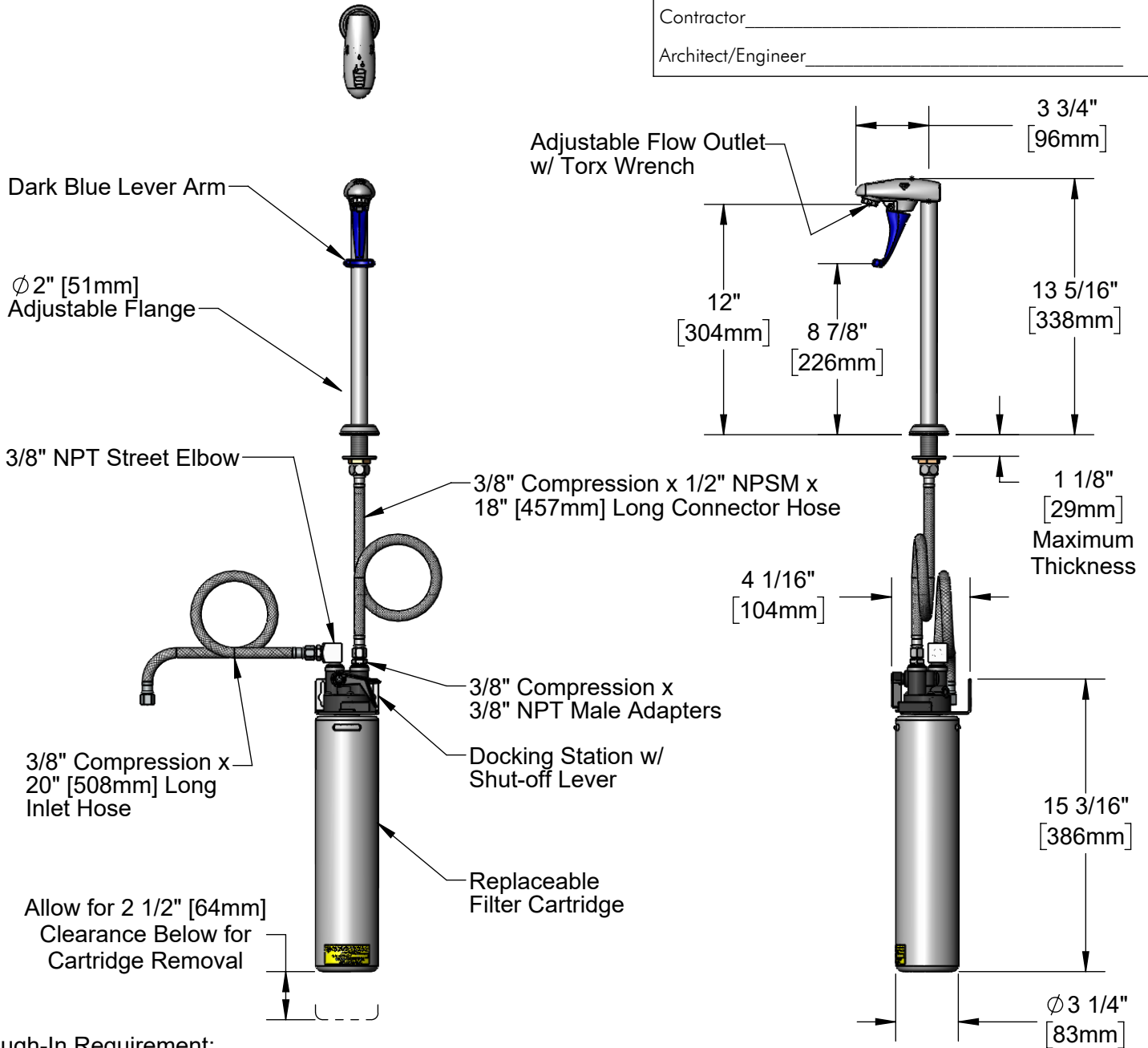
Job Name \_\_\_\_\_ Date \_\_\_\_\_

Model Specified \_\_\_\_\_ Quantity \_\_\_\_\_

Customer/Wholesaler \_\_\_\_\_

Contractor \_\_\_\_\_

Architect/Engineer \_\_\_\_\_



Rough-In Requirement:  
 $\phi 1''$  [25mm] Mounting Hole

Product Specifications:  
12" Pedestal Type Glass Filler w/ Water Filtration Kit

Product Compliance:  
ASME A112.18.1 / CSA B125.1  
NSF 61 - Section 9  
NSF 372 (Low Lead Content)  
ANSI A117.1 (ADA)



# T&S BRASS AND BRONZE WORKS, INC.

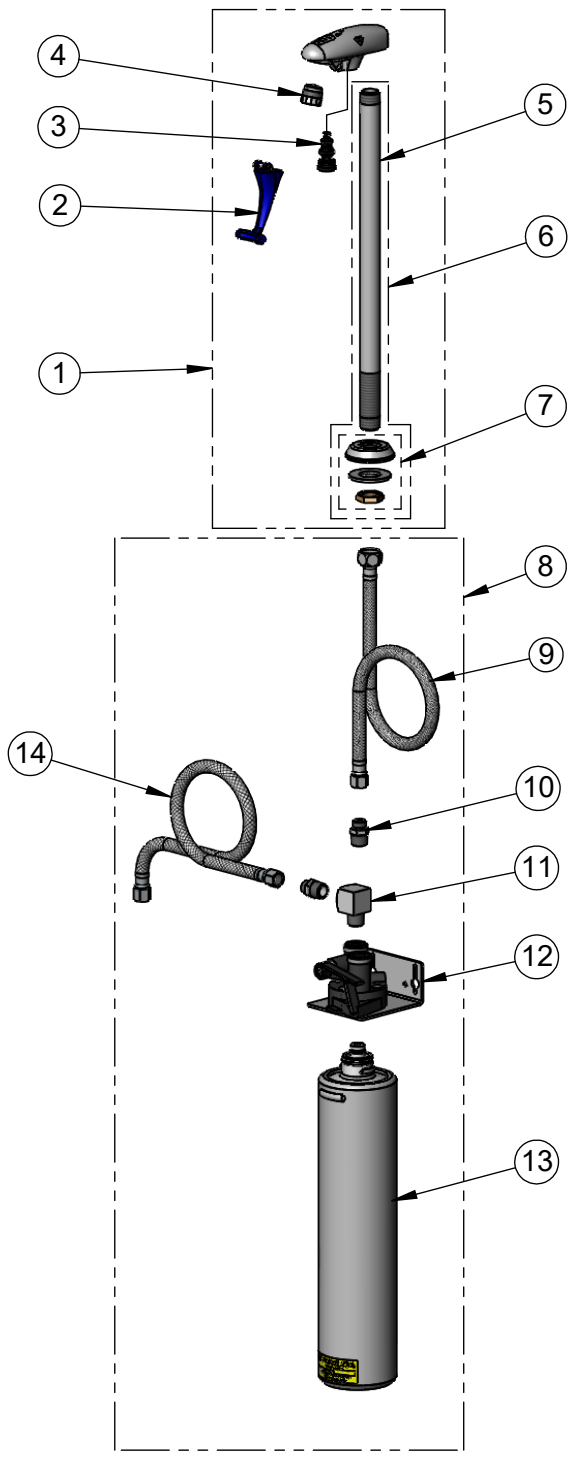
2 Saddleback Cove / P.O. Box 1088  
Travelers Rest, SC 29690

Model No.

**B-1210-12-WFK**

Item No.

Travelers Rest, SC: 800-476-4103 • Simi Valley, CA: 800-423-0150 • Fax: 864-834-3518 • www.tsbrass.com



| ITEM NO. | SALES NO. | DESCRIPTION                                  |
|----------|-----------|--|
| 1        | B-1210-12 | 12" Pedestal Type Glass Filler               |
| 2        | 015550-45 | Lever Arm Repair Kit                         |
| 3        | 015589-40 | Valve  |
| 4        | 015588-40 | Adjustable Outlet w/ Torx Wrench             |
| 5        | 015890-40 | B-1210-12 Pedestal                           |
| 6        | 015891-40 | Pedestal                                     |
| 7        | 016783-40 | Adjustable Deck Flange Repair Kit            |
| 8        | B-WFK     | Water Filtration Kit                         |
| 9        | 5EF-0005  | Supply Hose, 9/16"-24 Female x 1/2" NPSM     |
| 10       | 006101-45 | Adapter, 3/8" NPT x 9/16"-24 UN Male         |
| 11       | 148X      | Street Elbow, 3/8" NPT                       |
| 12       | B-WFDS    | Water Filtration Docking Station             |
| 13       | B-WFC     | Filter Cartridge                             |
| 14       | 013146-45 | Supply Hose, 9/16"-24 Fem (3/8" Compression) |



016640-45  
T-45 Torx Wrench  
for Adjustable Outlet

Product Specifications:  
12" Pedestal Type Glass Filler w/ Water Filtration Kit

Product Compliance:  
ASME A112.18.1 / CSA B125.1  
NSF 61 - Section 9  
NSF 372 (Low Lead Content)  
ANSI A117.1 (ADA)