



**T&S BRASS AND BRONZE WORKS, INC.**  
 2 Saddleback Cove / P.O. Box 1088  
 Travelers Rest, SC 29690

Model No.  
**B-1110-XS-LN**

Item No.

Travelers Rest, SC: 800-476-4103 • Simi Valley, CA: 800-423-0150 • Fax: 864-834-3518 • www.tsbrass.com



**ADA Compliant**

This Space for Architect/Engineer Approval

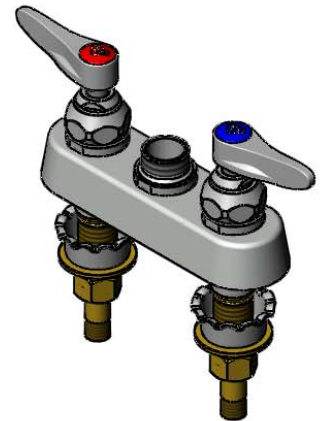
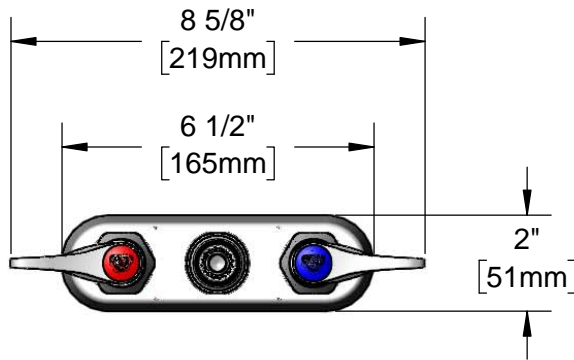
Job Name \_\_\_\_\_ Date \_\_\_\_\_

Model Specified \_\_\_\_\_ Quantity \_\_\_\_\_

Customer/Wholesaler \_\_\_\_\_

Contractor \_\_\_\_\_

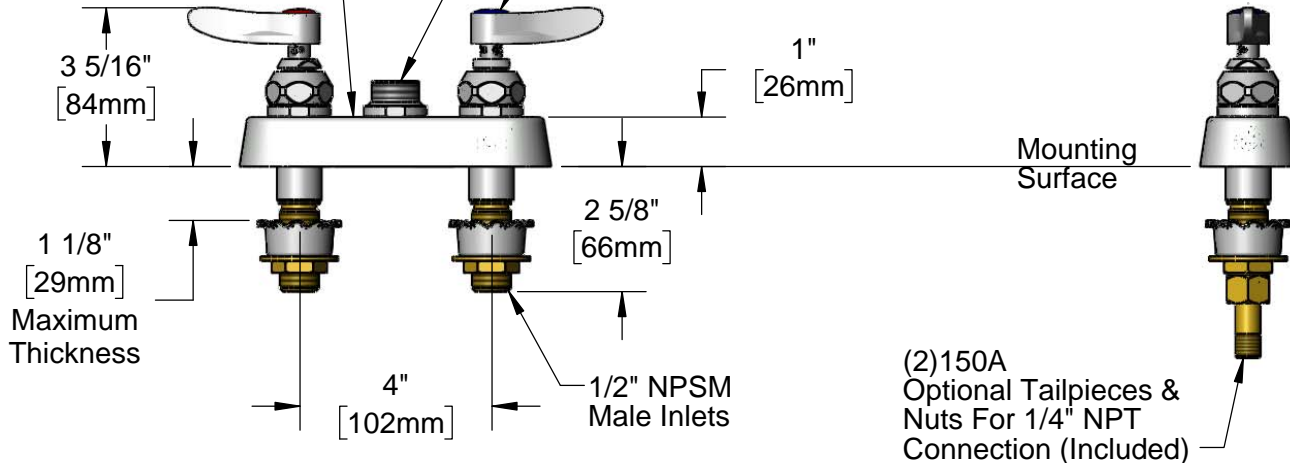
Architect/Engineer \_\_\_\_\_



Swivel Outlet Accepts Standard T&S Swing Nozzles. Convert to Rigid w/ 014200-45 Lock Washer (Included)

Quarter-Turn Eterna Cartridges w/ Spring Checks & Lever Handles w/ Color Coded Indexes

Polished Chrome Plated Escutcheon



(2) 150A  
 Optional Tailpieces & Nuts For 1/4" NPT Connection (Included)

**Rough-In Requirement:**  
 (2)  $\varnothing$  1" [25mm] Mounting Holes

**Product Specifications:**  
 4" Deck Mount Workboard Faucet, Less Nozzle, Quarter-Turn Eterna Cartridges w/ Spring Checks, Lever Handles, & 1/2" NPSM Extended Male Inlets

**Product Compliance:**  
 ASME A112.18.1 / CSA B125.1  
 NSF 61 - Section 9  
 NSF 372 (Low Lead Content)  
 ANSI A117.1 (ADA)



# T&S BRASS AND BRONZE WORKS, INC.

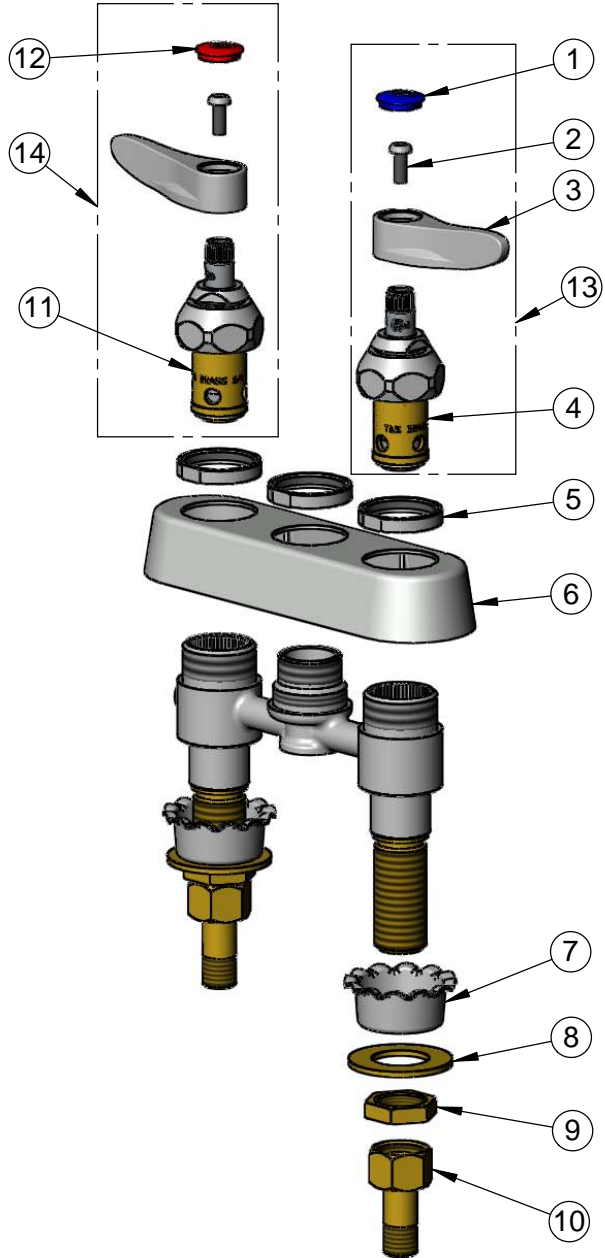
2 Saddleback Cove / P.O. Box 1088  
Travelers Rest, SC 29690

Model No.

**B-1110-XS-LN**

Item No.

Travelers Rest, SC: 800-476-4103 • Simi Valley, CA: 800-423-0150 • Fax: 864-834-3518 • www.tsbrass.com



ITEM NO.	SALES NO.	DESCRIPTION
1	018506-19NS	Blue Button Index, Press-in
2	000925-45	Lab Handle Screw
3	001638-45NS	Lever Handle (New Style)
4	012442-40NS	Quarter-Turn Eterna Cartridge w/ Spring Check, LTC
5	019376-40	Escutcheon Lock Nut
6	019374-40	B-1110 Eterna Workboard Escutcheon
7	001000-45	Rosette Washer
8	000999-45	Brass Lock Washer
9	002954-45	Shank Lock Nut
10	150A	1/4" NPT Tailpiece & Nut
11	012443-40NS	Quarter-Turn Eterna Cartridge w/ Spring Check, RTC
12	001193-19NS	Red Button Index, Press-in
13	002711-40NS	Quarter-Turn Eterna Cartridge w/ Spring Check, Handle, Blue Index & Screw, LTC
14	002712-40NS	Quarter-Turn Eterna Cartridge w/ Spring Check, Handle, Red Index & Screw, RTC



014200-45  
Lock Washer  
Converts Swivel to Rigid

**Product Specifications:**

4" Deck Mount Workboard Faucet, Less Nozzle, Quarter-Turn Eterna Cartridges w/ Spring Checks, Lever Handles, & 1/2" NPSM Extended Male Inlets

**Product Compliance:**

ASME A112.18.1 / CSA B125.1  
NSF 61 - Section 9  
NSF 372 (Low Lead Content)  
ANSI A117.1 (ADA)