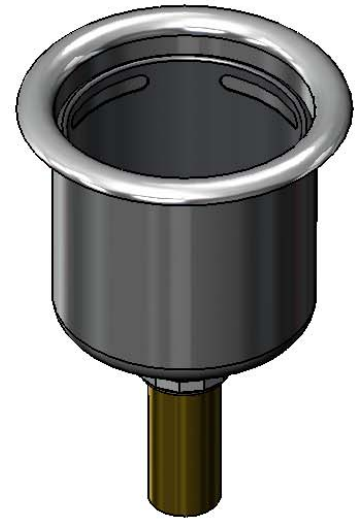
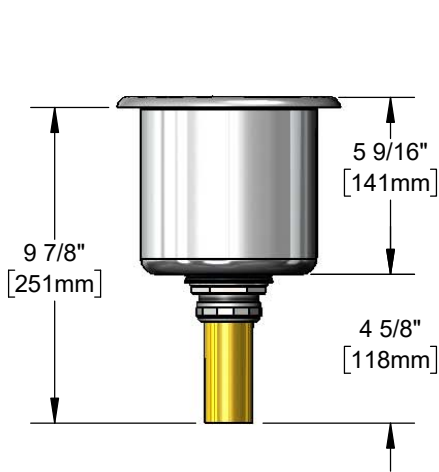




Architect/Engineering Specifications:

Deck mount dipperwell bowl with stainless steel bowl, cup and brass tailpiece. Certified to ASME A112.18.2/CSA B125.2.

Job Name _____
 Model Specified _____ Quantity _____
 Variations Specified _____
 Date _____



Features & Benefits:

- Stainless steel container, cup and tailpiece
- Sits flush with table top
- Ø1 1/2" x 4" tailpiece
- Keeps ice cream scoops and paddles clean and sanitized
- Material: Stainless steel body, cup and brass tailpiece

Product Compliance:

- ASME A112.18.2 / CSA B125.2

Warranty: One Year (Limited)

Performance Data:

- Discharge Rate: 7.35 GPM max

