



T&S BRASS AND BRONZE WORKS, INC.
 2 Saddleback Cove / P.O. Box 1088
 Travelers Rest, SC 29690

Model No.
B-0899

Item No.

Travelers Rest, SC: 800-476-4103 • Simi Valley, CA: 800-423-0150 • Fax: 864-834-3518 • www.tsbrass.com

This Space for Architect/Engineer Approval

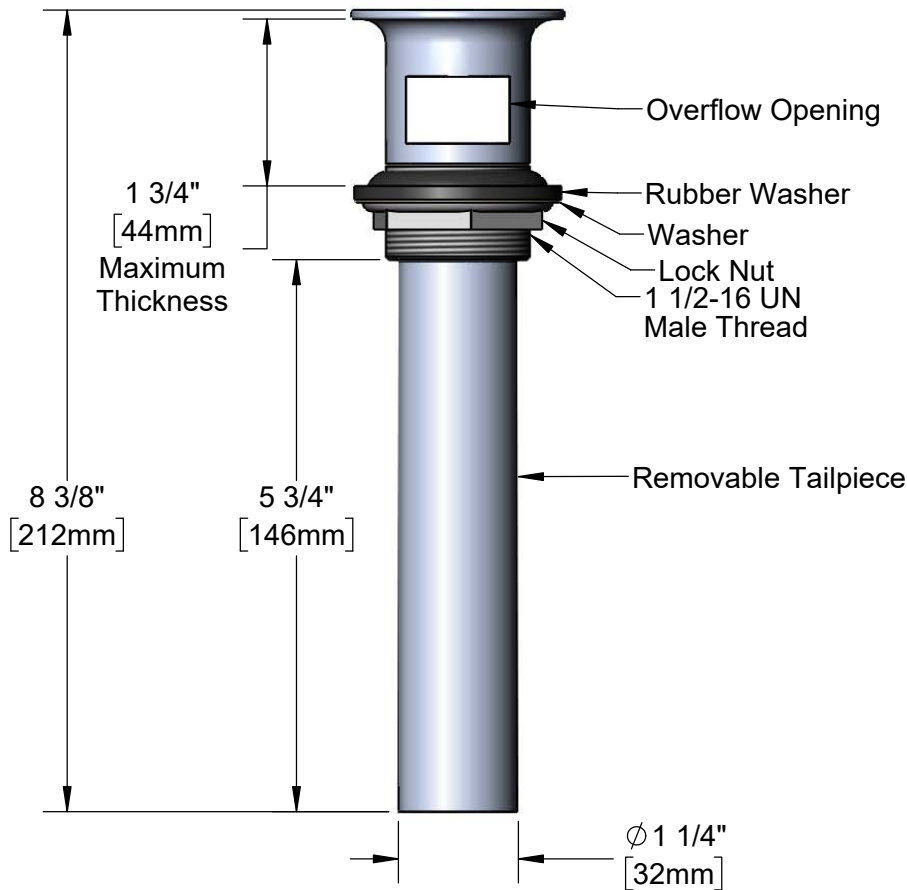
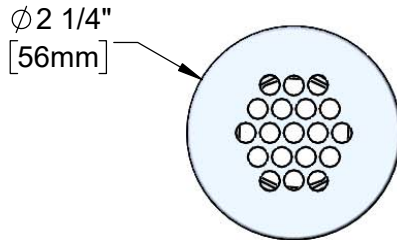
Job Name _____ Date _____

Model Specified _____ Quantity _____

Customer/Wholesaler _____

Contractor _____

Architect/Engineer _____



Note:
 Fits Sinks with $\phi 1 \frac{7}{16}</math> [36mm] to $\phi 1 \frac{3}{4}</math> [44mm] Drain Hole$$

Product Specifications:
 Cast Brass Sink Drain w/ Grid, Chrome Plate Finish & $\phi 1 \frac{1}{4}</math> Tailpiece$

Product Compliance:
 ASME A112.18.2 / CSA B125.2