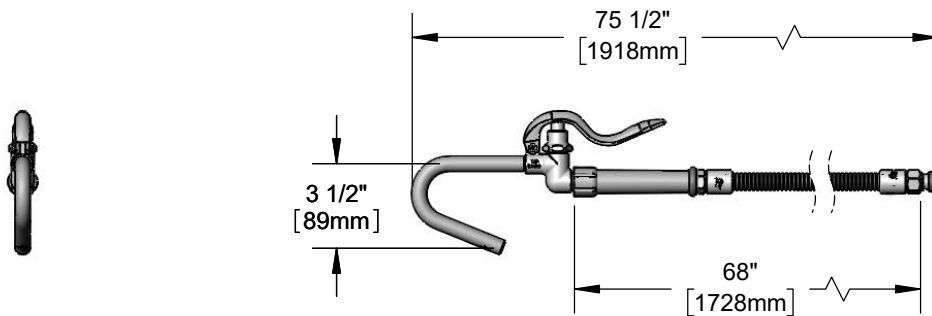
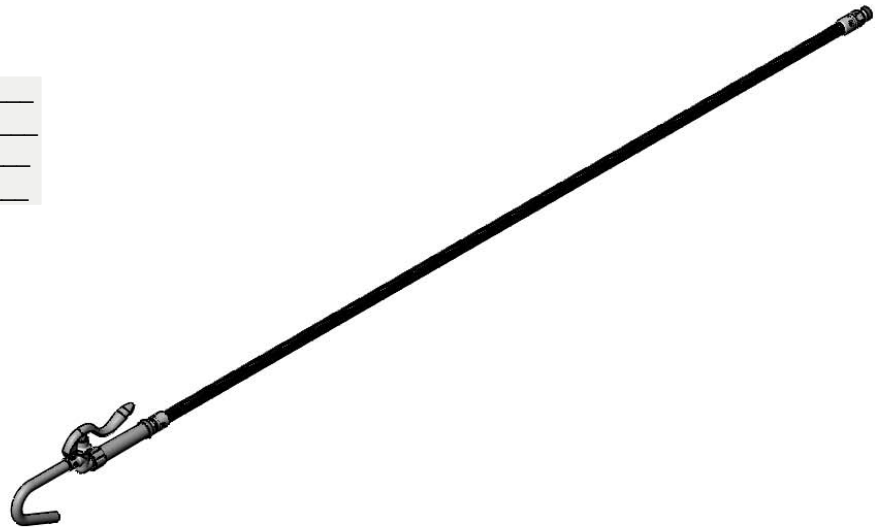




Architect/Engineering Specifications:

Automatic Shut-off valve, polished chrome plated brass body, hook nozzle, 68" flexible stainless steel hose, heat resistant handle, and 1/2" NPT male inlet. Certified to ASME A112.18.1/CSA B125.1, NSF 61-Section 9 and NSF 372.

Job Name \_\_\_\_\_  
 Model Specified \_\_\_\_\_ Quantity \_\_\_\_\_  
 Variations Specified \_\_\_\_\_  
 Date \_\_\_\_\_



Features & Benefits:

- Automatic shut-off valve
- Hook nozzle
- 68" flexible stainless steel hose w/ heat resistant gray handle and hold down ring
- 1/2" NPT male inlet
- Material: Polished chrome plated brass body, tubular nozzle and stainless steel hose

Product Compliance:

- ASME A112.18.1 / CSA B125.1
- NSF 61 - Section 9
- NSF 372 (Low Lead Content)
- 2019 DOE PRSV Non-Compliant
- Product not designed/intended for commercial warewashing in North America

Warranty: One Year (Limited)

Performance Data:

- Pressure: 20 - 125 psi
- Temperature: 40 °F - 140 °F
- Flow Rate: 5.27 GPM @ 60 psi

